



LGH

TE Internal #: 1-837975-6

Circular Power Connectors, Lead Assembly, Operating Voltage 40000 VDC, 16AWG Wire Size, Wire-to-Wire, Wire & Cable, Receptacle, Socket

[View on TE.com >](#)

Connectors > Power Connectors > Circular Power > Circular Power Connectors



Connector Product Type: **Lead Assembly**

Operating Voltage: **40000 VDC**

Wire Size: **16 AWG**

Connector System: **Wire-to-Wire**

Sealable: **No**

Features

Product Type Features

Connector Product Type	Lead Assembly
Connector System	Wire-to-Wire
Sealable	No
Connector & Contact Terminates To	Wire & Cable
Connector & Housing Type	Receptacle

Electrical Characteristics

Operating Voltage	40000 VDC
-------------------	-----------

Body Features

Positive Stop Ferrule	Without
-----------------------	---------

Contact Features

Contact Type	Socket
--------------	--------

Termination Features

Termination Method to Wire & Cable	Pre-Terminated to Cable
------------------------------------	-------------------------

Dimensions

Wire Size	16 AWG
Assembly Length	609.6 mm[24 in]

Usage Conditions

--	--



Operating Temperature Range	-55 – 125 °C[-67 – 257 °F]
-----------------------------	----------------------------

Operation/Application

Shielded	No
----------	----

Packaging Features

Packaging Method	Package
Packaging Quantity	10

Product Compliance

[For compliance documentation, visit the product page on TE.com>](#)

EU RoHS Directive 2011/65/EU	Compliant with Exemptions
EU ELV Directive 2000/53/EC	Compliant with Exemptions
China RoHS 2 Directive MIIT Order No 32, 2016	Restricted Materials Above Threshold
EU REACH Regulation (EC) No. 1907/2006	Current ECHA Candidate List: JAN 2021 (211) Candidate List Declared Against: JUN 2020 (209) SVHC > Threshold: Pb (4% in Contact/Component) Article Safe Usage Statements: Do not eat, drink or smoke when using this product. Wash thoroughly after handling. Recycle if possible and dispose of the article by following all applicable governmental regulations relevant to your geographic location.
Halogen Content	Not Yet Reviewed for halogen content
Solder Process Capability	Not applicable for solder process capability

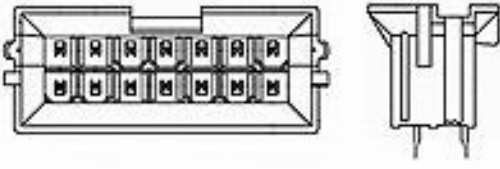
Product Compliance Disclaimer

This information is provided based on reasonable inquiry of our suppliers and represents our current actual knowledge based on the information they provided. This information is subject to change. The part numbers that TE has identified as EU RoHS compliant have a maximum concentration of 0.1% by weight in homogenous materials for lead, hexavalent chromium, mercury, PBB, PBDE, DBP, BBP, DEHP, DIBP, and 0.01% for cadmium, or qualify for an exemption to these limits as defined in the Annexes of Directive 2011/65/EU (RoHS2). Finished electrical and electronic equipment products will be CE marked as required by Directive 2011/65/EU. Components may not be CE marked. Additionally, the part numbers that TE has identified as EU ELV compliant have a maximum concentration of 0.1% by weight in homogenous materials for lead, hexavalent chromium, and mercury, and 0.01% for cadmium, or qualify for an exemption to these limits as defined in the Annexes of Directive 2000/53/EC (ELV). Regarding the REACH Regulation, the information TE provides on SVHC in articles for this part number is based on the latest European Chemicals Agency (ECHA) 'Guidance on requirements for substances in articles' posted at this URL: <https://echa.europa.eu/guidance-documents/guidance-on-reach>

Customers Also Bought



TE Part #2317658-5
AV25 SPM 3A MOVING RING POWER
BLUE 12V



TE Part #1-1586585-6
16P VAL-U-LOK BMI VRT HDR V2



TE Part #236945-000
Heat Shrink Boots: Non Lipped,
Straight




TE Part #YDTS24Z23-55PNC001
Jam Nut: D38999, 23-55 Insert, Black
Zinc Nickel Plating



TE Part #1490555-1
HYP10 COPALUM SEALED 8AWG DIE
SET



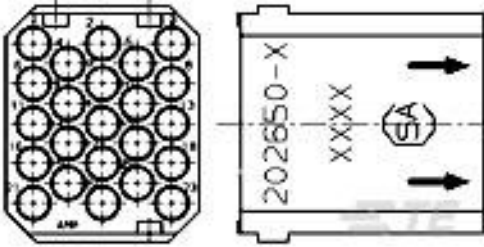
TE Part #1-6450520-3
MBXL R/A HEADER W/ GUIDE 64S



TE Part #1-830611-3
LGH 1/2 MLD END LEAD ASY



TE Part #1532181-6
M83513/03-C10N, MCKS-N1-B-
21P6Q1-36.0



TE Part #202650-2
PIN MODULE, 23 POSN, G-SERIES



TE Part #262442-000
81044/6-20-6

Documents

Product Drawings

[LGH-3 LEAD ELECT MLD END](#)

English

CAD Files

[3D PDF](#)

3D

Customer View Model

[ENG_CVM_CVM_1-837975-6_Z.2d_dxf.zip](#)

English

Customer View Model

[ENG_CVM_CVM_1-837975-6_Z.3d_igs.zip](#)

English

Customer View Model

[ENG_CVM_CVM_1-837975-6_Z.3d_stp.zip](#)

English

By downloading the CAD file I accept and agree to the [Terms and Conditions](#) of use.

Datasheets & Catalog Pages



[Products for Aerospace and Defense](#)

English

[Product Specifications](#)

[Product Specification](#)

English