

Lincat

LYNX 400

INSTALLATION AND USER INSTRUCTIONS

ELECTRIC CONTACT GRILL

**MODELS LCG, LPG, LRG, LCG/S, LPG/S, LRG/S
LCG2, LPG2 & LRG2**

Dear Customer,

Thank you for purchasing this **Lincat** Product.

This is just one of over 400 different items of catering equipment available from our range which is constantly being extended and improved. Details are available from your local distributor or direct from us.

Used for the purposes for which it is intended, and with careful maintenance as outlined in this user Guide, your **Lincat** product will give years of trouble free use.

IMPORTANT INFORMATION



Please read all of the safety and operating instructions carefully before using this product. Please pay particular attention to all sections of this User Guide that carry warning symbols and notices.



WARNING!

This is a Warning symbol. This symbol is used throughout the user guide whenever there is a risk of personal injury. Ensure that these warnings are read and understood at all times.



CAUTION!

This is a Caution symbol. This symbol is used throughout the User Guide whenever there is a risk damaging your Lincat product. Ensure that these warnings are read and understood at all times.

SAFETY INSTRUCTIONS



WARNING!

Basic safety precautions, including the following, should be followed to reduce the risk of personal injury. Make sure you have read all of these instructions before switching on the unit. Keep this User Guide in a safe place for future reference for you and your staff.

GENERAL

Do not clean the unit with a water jet.

Do not try to modify this product.

In the interest of hygiene, you should clean the product after unpacking and ensure all plastic coatings are removed before use.

Ensure that the electrical supply cable is not damaged. If the supply cable is damaged it should be replaced by Lincat Ltd or other suitably qualified persons, in order to avoid a hazard.

Disconnect the unit from the electric supply before servicing or undertaking any electrical maintenance.

This unit must be earthed.

TECHNICAL SPECIFICATION

Model		LCG, LPG, LRG	LCG/S, LPG/S, LRG/S	LCG2, LPG2, LRG2
Width	mm	293	293	623
Depth	mm	400	400	400
Height	mm	165	165	165
Power Rating	watts	2250	2250	2 x 2250
Weight (net)	kg	20	20	40

PACK CONTENTS

LCG, LPG & LRG

Electric grill (with electrical supply cable and 13 amp plug)
User instructions
Guarantee card

LCG/S, LPG/S & LRG/S

Electric grill (with electrical supply cable and 13 amp plug)
Scraper
User instructions
Guarantee card

LCG2, LPG2 & LRG2

Double electric grill (with 2 x supply cables and 2 x 13 amp plugs)
User Instructions
Guarantee card

INSTALLATION



Ensure that the unit is installed on a sound, level work surface, which is heat resistant e.g. stainless steel or formica. Inform your personnel that the external surfaces and base will become hot.

For safety regulations, the plug must always be accessible.

CONNECTING TO THE ELECTRICITY SUPPLY



Ensure that the voltage of your electricity supply corresponds to the serial plate details. The product is supplied with a 13 amp plug. To replace the plug, follow these instructions:

- green and yellow wire to 'E' or (Earth)
- blue wire to 'N' (Neutral)
- brown wire to 'L' (Live)

OPERATING INSTRUCTIONS

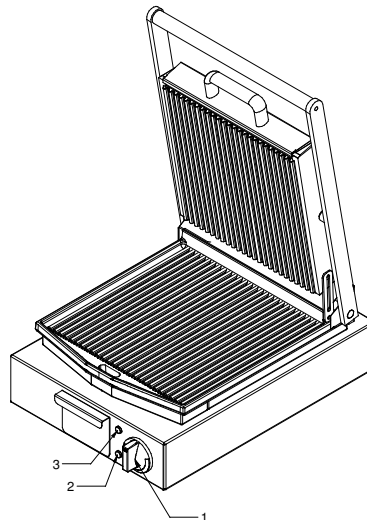


Fig 1. - Model LPG

- 1 Control knob
- 2 Green neon
- 3 Amber neon

Connect the unit to the electricity supply. The green neon will then light up. Turn the control knob to set the desired temperature. When the cooking surfaces have heated up to the set temperature, the amber neon will extinguish. To turn the unit off, turn the control knob to '0'

NOTE: That /S units have a 20 minute mechanical timer

Safety (High Limit) Thermostat

This unit is fitted with two thermostats. One controls the temperature of the cooking surfaces; the other prevents the temperature from reaching a dangerous level if there is a fault with the unit or power supply.

If the green neon lights up but the element does not heat up, the safety thermostat may need to be re-set. To re-set the thermostat, push the button located at the rear of the unit. (Fig. 2)

Note: The re-set button cannot be activated until the unit has cooled sufficiently

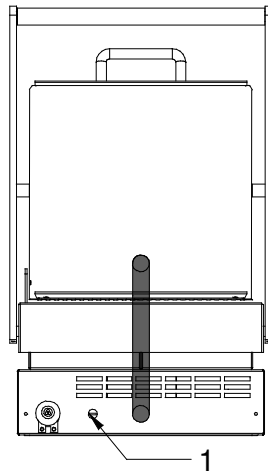


Fig. 2

- 1 Re-set button (safety thermostat)
- 2 Adjusting the upper plate tension

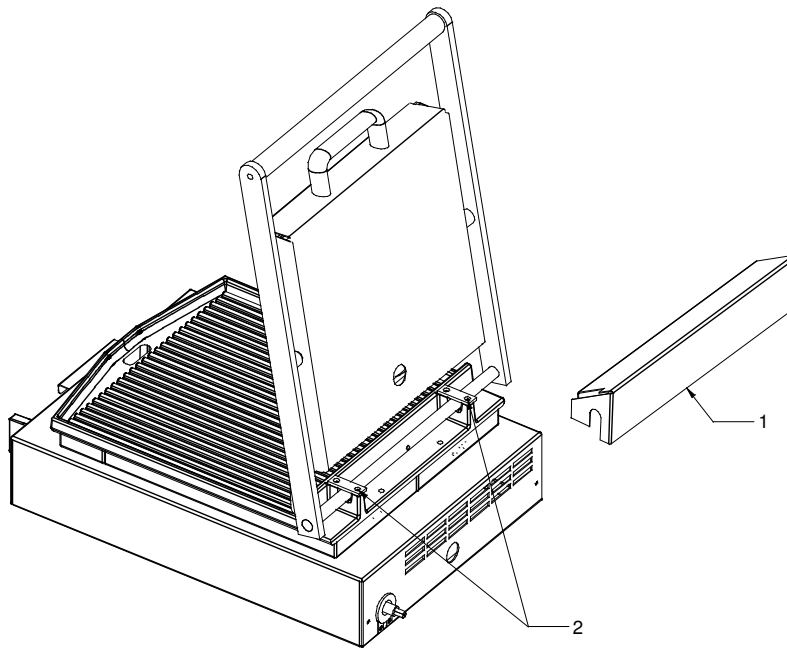


Fig. 3

- 1 Rear Cover
- 2 Adjusting screws

To adjust the tension of the upper plate lifting mechanism, remove the rear cover and adjust the four screws. (Fig. 3)

CLEANING AND MAINTENANCE

CLEANING



Disconnect the unit from the electricity supply and allow it to cool before starting to clean. Use a mild detergent in hot water and a soft cloth. Do not use abrasive creams or scourers.


MAINTENANCE

Regular cleaning of the unit is recommended.

Regular maintenance is not required.

SERVICE INFORMATION

For help regarding the installation, maintenance and use of your **Lincat** equipment, please contact our service department:

 01522 875520

All service work, other than routine cleaning should be carried out by one of our authorised service agents. We cannot accept responsibility for work carried out by other persons.

To ensure your service enquiry is handled as efficiently as possible, you need to have the following details available :

- **Brief details of problem**
- **Product code, type number and serial number of unit (both on serial plate)**

Lincat reserve the right to carry out any work under warranty during normal working hours, ie Monday to Friday, 08:30 a.m. – 17:30 p.m.

GUARANTEE

This unit carries a comprehensive UK twelve-month warranty. The guarantee is in addition to, and does not diminish your statutory or legal rights.

The guarantee does not cover:

- Accidental damage, misuse (or use not in accordance with the instructions in this User Guide), or consumable items.
- Damage due to incorrect installation, modification or unauthorised service work.
- The manufacturer disclaims any liability for incidental, or consequential damages.