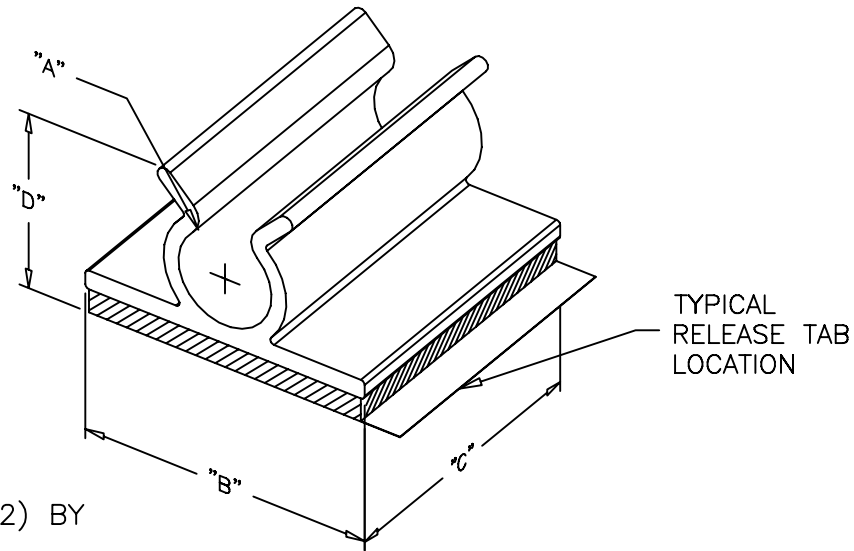


PART NO.	HOLDING CAPACITY "A"	"B" ±.015(0.4)	"C" ±.02(0.5)	"D" AT MAX CAPACITY REF.
KKU-2-RT	1/8 (3.2)	3/4 (19.1)	3/4 (19.1)	9/32 (7.1)
KKU-4-RT	1/4 (6.4)			15/32 (11.9)
KKU-6-RT	3/8 (9.5)			19/32 (15.1)
KKU-8-RT	1/2 (12.7)	1 (25.4)	1 (25.4)	11/16 (17.5)
KKU-9-RT	9/16 (14.3)			3/4 (19.1)
KKU-12-RT	3/4 (19.1)			29/32 (23.0)
KKU-14-RT	7/8 (22.2)			31/32 (24.6)



NOTES:

- MAT'L: RIGID PVC (RMS-04).
AVAILABLE IN CLEAR PVC (RMS-32) BY SPECIAL ORDER.
- COLOR: GRAY
- TAPE: 1/16" THICK DOUBLE SIDED ADHESIVE (RMS-15), WHITE LINER.
- CUSTOM LENGTHS AVAILABLE BY SPECIAL ORDER.

D SEE ECN #491 FOR CHANGES		SM 10.16.02	TITLE: KWIK-KLIP, TYPE "U"			DWG IN IN(MM)		
C EDITED NOTE 1 & ADDED NOTE 4		SJ 03.14.02	FILE # KKU			DWN: S.M.		APP:
B COMPLETELY RE-DRAWN & CHANGED FILE #		S.M.11.20.00	MAT'L: SEE NOTES		DT: 11/20/00	DT:	PART # SEE TABLE	PRINT TYPE CA
A ADDED NOTES, CORRECTED TAPE THICKNESS TO 1/16"		JK 2.10.00	RE: RICHCO INC.		RICHCO INC. PO BOX 804238, CHICAGO, 60680 (773) 539-4060			
REV	DESCRIPTION	ENGR DATE	TOLERANCES UNLESS NOTED .XX=±.020 .XXX=±.015 FRAC=±1/64 ANG=±1°					