

Notes

1. MATERIAL: REFER TO TABLES.
2. PACKAGE SPEC. REFER TO PK OF 2128600001
3. PRODUCT SPEC. REFER TO PS OF 2144150001
4. APPLICATION SPEC. REFER TO AS OF 2144150001

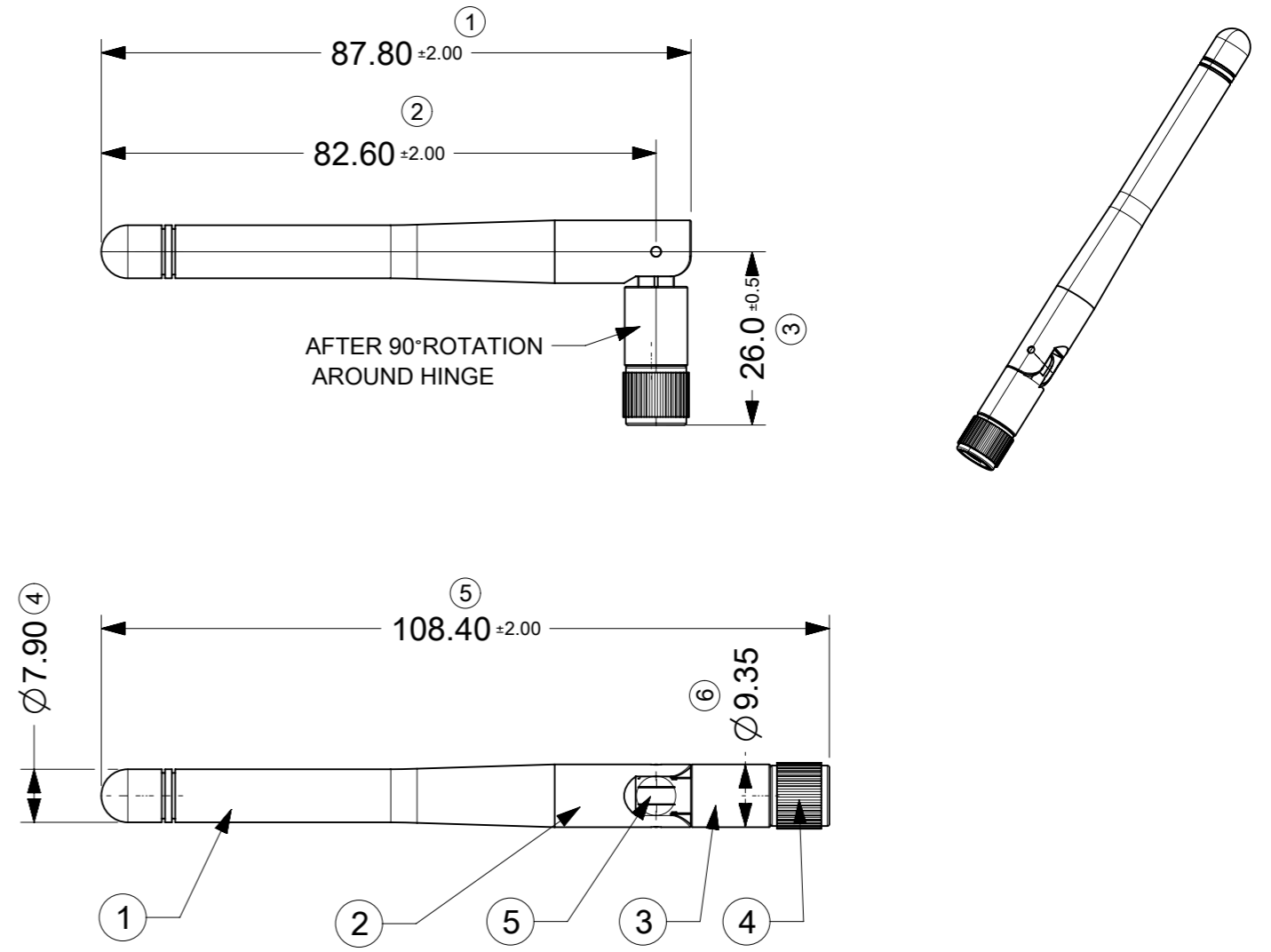
PN:2144150001--MOLEX WIFI/BT ANTENNA HINGED (BLACK, SMA-M)			
NO.	DESCRIPTION	MATERIAL	Q'TY
1	ANTENNA CAP	TPEE, COLOR: BLACK	1
2	UPPER BASE	PBT+PC,COLOR:BLACK	1
3	BOTTOM BASE	PBT+PC, COLOR: BLACK	1
4	CONNECTOR	SMA-MALE STRAIGHT PLUG FOR RG-178	1
5	CABLE	RG-178 CABLE TRANSPARENCY BROWN,50Ω	1

PN:2144150011--MOLEX WIFI/BT ANTENNA HINGED (BLACK, RP-SMA-M)			
NO.	DESCRIPTION	MATERIAL	Q'TY
1	ANTENNA CAP	TPEE, COLOR: BLACK	1
2	UPPER BASE	PBT+PC,COLOR:BLACK	1
3	BOTTOM BASE	PBT+PC, COLOR: BLACK	1
4	CONNECTOR	RP-SMA-MALE STRAIGHT PLUG	1
5	CABLE	RG-178 CABLE TRANSPARENCY BROWN,50Ω	1

PN:2144151001--MOLEX WIFI/BT ANTENNA HINGED (WHITE, SMA-M)			
NO.	DESCRIPTION	MATERIAL	Q'TY
1	ANTENNA CAP	TPEE, COLOR: WHITE	1
2	UPPER BASE	PBT+PC,COLOR:WHITE	1
3	BOTTOM BASE	PBT+PC, COLOR: WHITE	1
4	CONNECTOR	SMA-MALE STRAIGHT PLUG FOR RG-178	1
5	CABLE	RG-178 CABLE TRANSPARENCY BROWN,50Ω	1

PN:2144151011--MOLEX WIFI/BT ANTENNA HINGED (WHITE,RP- SMA-M)			
NO.	DESCRIPTION	MATERIAL	Q'TY
1	ANTENNA CAP	TPEE, COLOR: WHITE	1
2	UPPER BASE	PBT+PC,COLOR:WHITE	1
3	BOTTOM BASE	PBT+PC, COLOR: WHITE	1
4	CONNECTOR	RP-SMA-MALE STRAIGHT PLUG FOR RG-178	1
5	CABLE	RG-178 CABLE TRANSPARENCY BROWN,50Ω	1

REV	CHANGE HISTORY	DATE
A	FIRST RELEASE	20191009
B	NO DRAWING CONTENT CHANGE,JUST CHANGE THE DRAWING TYPE	20191122
C	UPDATE BOM DESCRIPTION	2022/05/24
D	UPDATED DIMENSION#3(FROM 25.8MM TO 26MM)	2022/07/18



CONFIGS	PN	DESCRIPTION
1	2144150001	MOLEX WIFI/BT ANTENNA HINGED (BLACK, SMA-M)
2	2144150011	MOLEX WIFI/BT ANTENNA HINGED (BLACK, RP-SMA-M)
3	2144151001	MOLEX WIFI/BT ANTENNA HINGED (WHITE, SMA-M)
4	2144151011	MOLEX WIFI/BT ANTENNA HINGED (WHITE, RP-SMA-M)

SYMBOLS DIMENSION UNITS: mm SCALE: 1:1 GENERAL TOLERANCES (UNLESS SPECIFIED): ANGULAR TOL: ± ° 4 PLACES: ± 3 PLACES: ± 0.2 2 PLACES: ± 0.3 1 PLACE: ± 0.4 0 PLACES: ± DRAFT WHERE APPLICABLE MUST REMAIN WITHIN DIMENSIONS THIRD ANGLE PROJECTION	THIS DRAWING CONTAINS INFORMATION THAT IS PROPRIETARY TO MOLEX ELECTRONIC TECHNOLOGIES, LLC AND SHOULD NOT BE USED WITHOUT WRITTEN PERMISSION CURRENT REV DESC:				
	EC NO: 714684 DRWN: KCHENG06 2022/07/18 CHK'D: HORACM1 2022/07/22 APPR: HORACM1 2022/07/22				
	INITIAL REVISION: DRWN: CZHOU05 2019/10/17 APPR: XJSONG 2019/10/28		PRODUCT CUSTOMER DRAWING		
	MATERIAL NUMBER: 214415 CUSTOMER: SEE TABLE		DOCUMENT NUMBER: 2144150001 DOC TYPE: PSD DOC PART: SD REVISION: D		