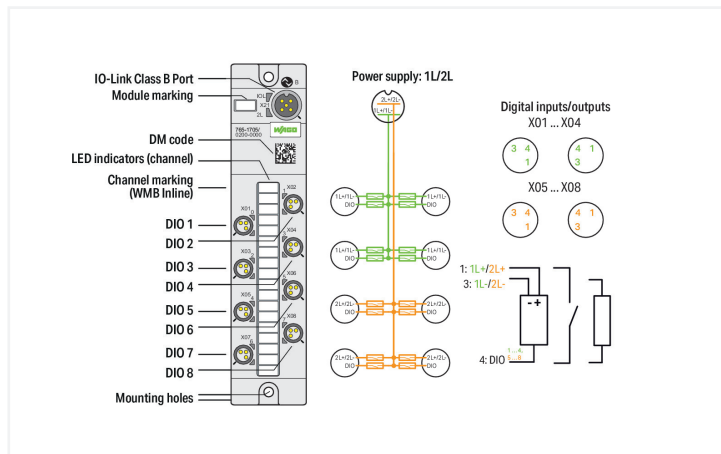


# Data Sheet | Item Number: 765-1705/200-000

8-channel digital input/output; IO Link Class B Hub; DC 24 V / 2.0 A; 8xM8 connection; HubLine

<https://www.wago.com/765-1705/200-000>



## Technical data

IO-Link		Device functions	
Communication	IO-Link slave (class B)	Parameter	Input filter Output current Temperature
Connection technology: communication/fieldbus	1 x A-coded M12; 5-pole	Diagnostics	Undervoltage; overcurrent; overload; overtemperature
Digital inputs/outputs		Supply	
Number of digital inputs	8	Connection technology: supply	1 x A-coded M12; 5-pole; via IO-Link port (1L/2L)
Number of digital outputs	8	Supply voltage	24 VDC (18 ... 31.2 V); 1L/2L
Connection technology: inputs/outputs	8 x M8; 3-pole	Current consumption (max.)	4000 mA
Signal type (voltage)	24 VDC	Current consumption (note)	1L: 0.2 A; 2L: 0.1 A; + load current
Input characteristic	high-side switching Type 3, per IEC 61131-2	Reverse voltage protection	Yes
Input filter	0.2 ... 20 ms		
Output current (per channel)	2 A		

## Physical data

Width	35 mm / 1.378 inches
Height	30 mm / 1.181 inches
Depth	158.5 mm / 6.24 inches

## Mechanical Data

Weight	120 g
Conformity marking	CE

### Environmental requirements

Ambient temperature (operation)	-25 ... +70 °C
Surrounding air temperature (storage)	-40 ... +80 °C
Protection type	IP67
Protection class	III per EN 61140, IEC 61140, VDE 0140-1
Operating altitude	0 ... 2000 m / 0 ... 6562 ft
Pollution degree (5)	3 (EN 60664-1)
Overvoltage category	II (EN 60664-1)
Vibration resistance	5g per IEC 60068-2-6
Shock resistance	Short-term: 50g/11 ms/half-sine per IEC 60068-2-27; Long-term: 30g/6 ms/half-sine per IEC 60068-2-29
EMC immunity to interference	per EN 61000-6-2
EMC emission of interference	per EN 61000-6-4

### Commercial data

ETIM 8.0	EC001599
ETIM 7.0	EC001599
PU (SPU)	1 pcs
Packaging type	Box
Country of origin	DE
GTIN	4055143949781
Customs tariff number	85371098990

### Downloads

#### Environmental Product Compliance

##### Compliance Search

Environmental Product Compliance 765-1705/200-000	<a href="#">↓</a>
--	-------------------

### Documentation

#### Manual

Product Manual 8-Channel Digital Input/Output; IO Link Class B Hub	V 2.0.0 19.07.2022	pdf 3633.23 KB	<a href="#">↓</a>
--	-----------------------	-------------------	-------------------

#### System Description


WAGO I/O System Field; General Product Information	pdf 1009.23 KB	<a href="#">↓</a>
--	-------------------	-------------------

#### Instruction Leaflet


I/O System Field package insert	15.12.2021	pdf 1083.98 KB	<a href="#">↓</a>
---------------------------------	------------	-------------------	-------------------


### CAD/CAE-Data

**CAD data**

2D/3D Models  
765-1705/200-000 


**CAE data**

EPLAN Data Portal  
765-1705/200-000 

ZUKEN Portal  
765-1705/200-000 

## Runtime Software

**Firmware**

0765-17xx, IO-Field	V 01	zip	333.28 KB	
---------------------	------	-----	-----------	---

## 1 Compatible Products

### 1.1 Required Accessories

#### 1.1.1 Cover

##### 1.1.1.1 Cover



[Item No.: 756-8103](#)  
M12 protective cap; for unused plugs

[Item No.: 756-8101](#)  
M8 protective cap; for unused sockets

#### 1.1.2 Marking

##### 1.1.2.1 Marker



[Item No.: 2009-115](#)  
WMB-Inline; for Smart Printer; 1500 pieces on roll; stretchable 5 - 5.2 mm; plain; snap-on type; white

##### 1.1.2.2 Marking strip



[Item No.: 2009-110](#)  
Marking strips; for Smart Printer; on reel; not stretchable; plain; snap-on type; white

#### 1.1.3 Tool

1.1.3.1 Assembly tool



**Item No.: 206-701**  
Torque wrench M8 and M12; Assembly kit

1.2 Optional Accessories

1.2.1 Cables and connectors

1.2.1.1 Configurable connectors



**Item No.: 756-9105/030-000**  
Fitted pluggable connector; 3-pole; M8 plug, right angle; IDC technology



**Item No.: 756-9102/030-000**  
Fitted pluggable connector; 3-pole; M8 plug, straight; IDC technology

1.2.1.2 Sensor/actuator cable



**Item No.: 756-5302/050-015**  
Sensor/Actuator cable; M12A socket; angled; 5-pole; Length: 1.5 m



**Item No.: 756-5302/050-100**  
Sensor/Actuator cable; M12A socket; angled; 5-pole; Length: 10 m



**Item No.: 756-5302/050-050**  
Sensor/Actuator cable; M12A socket; angled; 5-pole; Length: 5 m



**Item No.: 756-5404/050-010**  
Sensor/Actuator cable; M12A socket; angled; M12A plug; angled; 5-pole; Length: 1 m



**Item No.: 756-5404/050-020**  
Sensor/Actuator cable; M12A socket; angled; M12A plug; angled; 5-pole; Length: 2 m



**Item No.: 756-5403/050-010**  
Sensor/Actuator cable; M12A socket; angled; M12A plug; straight; 5-pole; Length: 1 m



**Item No.: 756-5403/050-020**  
Sensor/Actuator cable; M12A socket; angled; M12A plug; straight; 5-pole; Length: 2 m



**Item No.: 756-5504/030-010**  
Sensor/Actuator cable; M12A socket; angled; M8 plug; angled; 3-pole; Length: 1 m



**Item No.: 756-5504/030-020**  
Sensor/Actuator cable; M12A socket; angled; M8 plug; angled; 3-pole; Length: 2 m



**Item No.: 756-5503/030-010**  
Sensor/Actuator cable; M12A socket; angled; M8 plug; straight; 3-pole; Length: 1 m



**Item No.: 756-5503/030-020**  
Sensor/Actuator cable; M12A socket; angled; M8 plug; straight; 3-pole; Length: 2 m



**Item No.: 756-5301/050-015**  
Sensor/Actuator cable; M12A socket; straight; 5-pole; Length: 1.5 m



**Item No.: 756-5301/050-100**  
Sensor/Actuator cable; M12A socket; straight; 5-pole; Length: 10 m



**Item No.: 756-5301/050-050**  
Sensor/Actuator cable; M12A socket; straight; 5-pole; Length: 5 m



**Item No.: 756-5402/050-010**  
Sensor/Actuator cable; M12A socket; straight; M12A plug; angled; 5-pole; Length: 1 m



**Item No.: 756-5402/050-020**  
Sensor/Actuator cable; M12A socket; straight; M12A plug; angled; 5-pole; Length: 2 m



**Item No.: 756-5401/050-010**  
Sensor/Actuator cable; M12A socket; straight; M12A plug; straight; 5-pole; Length: 1 m



**Item No.: 756-5401/050-020**  
Sensor/Actuator cable; M12A socket; straight; M12A plug; straight; 5-pole; Length: 2 m



**Item No.: 756-5502/030-010**  
Sensor/Actuator cable; M12A socket; straight; M8 plug; angled; 3-pole; Length: 1 m



**Item No.: 756-5502/030-020**  
Sensor/Actuator cable; M12A socket; straight; M8 plug; angled; 3-pole; Length: 2 m



**Item No.: 756-5501/030-010**  
Sensor/Actuator cable; M12A socket; straight; M8 plug; straight; 3-pole; Length: 1 m



**Item No.: 756-5501/030-020**  
Sensor/Actuator cable; M12A socket; straight; M8 plug; straight; 3-pole; Length: 2 m



**Item No.: 756-5112/030-015**  
Sensor/Actuator cable; M8 plug; angled; 3-pole; Length: 1.5 m



**Item No.: 756-5112/030-100**  
Sensor/Actuator cable; M8 plug; angled; 3-pole; Length: 10 m



**Item No.: 756-5112/030-050**  
Sensor/Actuator cable; M8 plug; angled; 3-pole; Length: 5 m



**Item No.: 756-5111/030-015**  
Sensor/Actuator cable; M8 plug; straight; 3-pole; Length: 1.5 m



**Item No.: 756-5111/030-100**  
Sensor/Actuator cable; M8 plug; straight; 3-pole; Length: 10 m



**Item No.: 756-5111/030-050**  
Sensor/Actuator cable; M8 plug; straight; 3-pole; Length: 5 m

1.2.1.2 Sensor/actuator cable



**Item No.: 756-5204/030-010**  
Sensor/Actuator cable; M8 socket; angled; M8 plug; angled; 3-pole; Length: 1 m



**Item No.: 756-5204/030-020**  
Sensor/Actuator cable; M8 socket; angled; M8 plug; angled; 3-pole; Length: 2 m



**Item No.: 756-5203/030-010**  
Sensor/Actuator cable; M8 socket; angled; M8 plug; straight; 3-pole; Length: 1 m



**Item No.: 756-5203/030-020**  
Sensor/Actuator cable; M8 socket; angled; M8 plug; straight; 3-pole; Length: 2 m



**Item No.: 756-5202/030-010**  
Sensor/Actuator cable; M8 socket; straight; M8 plug; angled; 3-pole; Length: 1 m



**Item No.: 756-5202/030-020**  
Sensor/Actuator cable; M8 socket; straight; M8 plug; angled; 3-pole; Length: 2 m



**Item No.: 756-5201/030-010**  
Sensor/Actuator cable; M8 socket; straight; M8 plug; straight; 3-pole; Length: 1 m



**Item No.: 756-5201/030-020**  
Sensor/Actuator cable; M8 socket; straight; M8 plug; straight; 3-pole; Length: 2 m