

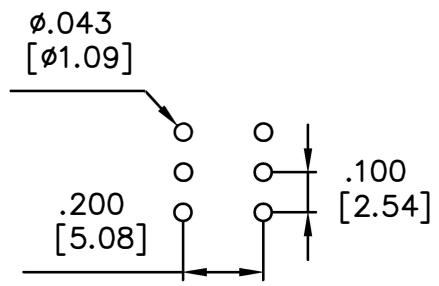
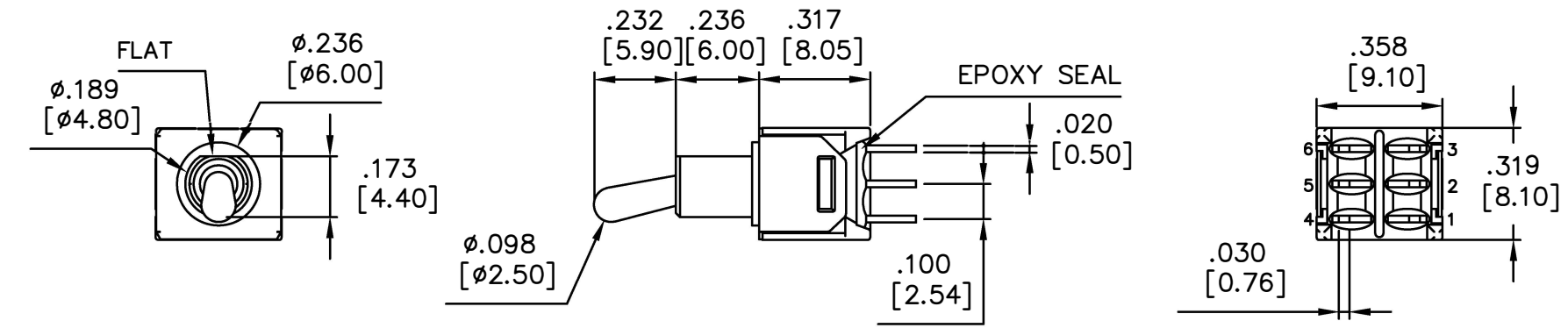


Specification

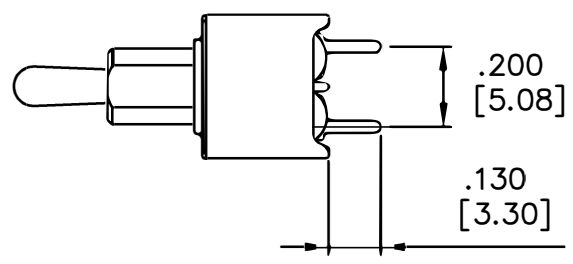
Switch Rating	0.4 VA @ 20 V (AC/DC)
Movable Contact	Copper alloy, gold plated over nickel plated
Contact Resistance	20 mΩ
Insulation Resistance	1 GΩ
Dielectric Strength	1500 V RMS @ sea level
Electrical Life	30,000
Operating Temperature	-30 °C ~ 85 °C
Position	2

Art. Nr.
RND 210-00839

Drawing



P.C. MOUNTING



Switching Position			
	ON	NONE	ON
	ON	NONE	(ON)
Term. Comm.	2-3,5-6	OPEN	2-1,5-4

Art. Nr.
RND 210-00839