

STANDARD EXECUTIONS

Oval cross section aluminium bar:

- **GN 565.2-A:** threaded blind holes.
- **GN 565.2-B:** pass-through holes for front mounting by means of screws, nuts and washers included in the supply.

Finish index:

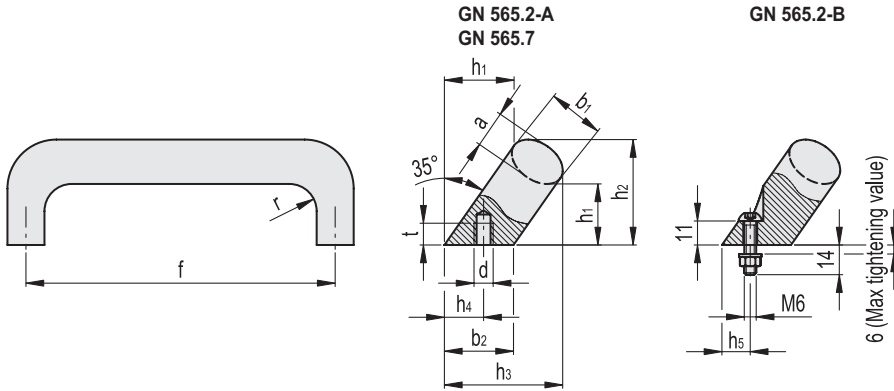
- **BL:** natural aluminium.
- **SW:** epoxy resin coating, RAL 9005 colour black, matte finish.
- **EL:** anodised aluminium, natural colour, matte finish.

AISI 304 stainless steel bar, sandblasted matte finish:

- **GN 565.7:** threaded blind holes.

SPECIAL EXECUTIONS ON REQUEST

Different lengths and colours.



GN 565.2-A

Code	Description	b1	l	d	b2	a	h1	h2	h3	h4+1	r	tmin	⚖
GN.27297	GN 565.2-20-112-A-BL	20	112±0.25	M6	24	13	32	48	50	13.5	13	10	99
GN.27298	GN 565.2-20-112-A-SW	20	112±0.25	M6	24	13	32	48	50	13.5	13	10	100
GN.27299	GN 565.2-20-112-A-EL	20	112±0.25	M6	24	13	32	48	50	13.5	13	10	99
GN.27301	GN 565.2-20-128-A-BL	20	128±0.25	M6	24	13	32	48	50	13.5	13	10	110
GN.27302	GN 565.2-20-128-A-SW	20	128±0.25	M6	24	13	32	48	50	13.5	13	10	113
GN.27303	GN 565.2-20-128-A-EL	20	128±0.25	M6	24	13	32	48	50	13.5	13	10	110
GN.27305	GN 565.2-26-128-A-BL	26	128±0.25	M8	32	17	34	54	57	18	17	12	190
GN.27306	GN 565.2-26-128-A-SW	26	128±0.25	M8	32	17	34	54	57	18	17	12	192
GN.27307	GN 565.2-26-128-A-EL	26	128±0.25	M8	32	17	34	54	57	18	17	12	190
GN.27311	GN 565.2-26-160-A-BL	26	160±0.25	M8	32	17	34	54	57	18	17	12	222
GN.27312	GN 565.2-26-160-A-SW	26	160±0.25	M8	32	17	34	54	57	18	17	12	225
GN.27313	GN 565.2-26-160-A-EL	26	160±0.25	M8	32	17	34	54	57	18	17	12	222

GN 565.7



Code	Description	b1	l	d	b2	a	h1	h2	h3	h4+1	r	tmin	⚖
GN.27461	GN 565.7-20-112-A-MT	20	112±0.25	M6	24	13	32	48	50	13.5	13	10	308
GN.27462	GN 565.7-20-128-A-MT	20	128±0.25	M6	24	13	32	48	50	13.5	13	10	398

GN 565.2-B

Code	Description	b1	l	b2	a	h1	h2	h3	h5	r	⚖
GN.27321	GN 565.2-26-128-B-BL	26	128±0.25	32	17	34	54	57	13+1	17	110
GN.27323	GN 565.2-26-128-B-SW	26	128±0.25	32	17	34	54	57	13+1	17	113
GN.27322	GN 565.2-26-128-B-EL	26	128±0.25	32	17	34	54	57	13+1	17	110
GN.27326	GN 565.2-26-160-B-BL	26	160±0.25	32	17	34	54	57	13+1	17	222
GN.27328	GN 565.2-26-160-B-SW	26	160±0.25	32	17	34	54	57	13+1	17	225
GN.27327	GN 565.2-26-160-B-EL	26	160±0.25	32	17	34	54	57	13+1	17	222

