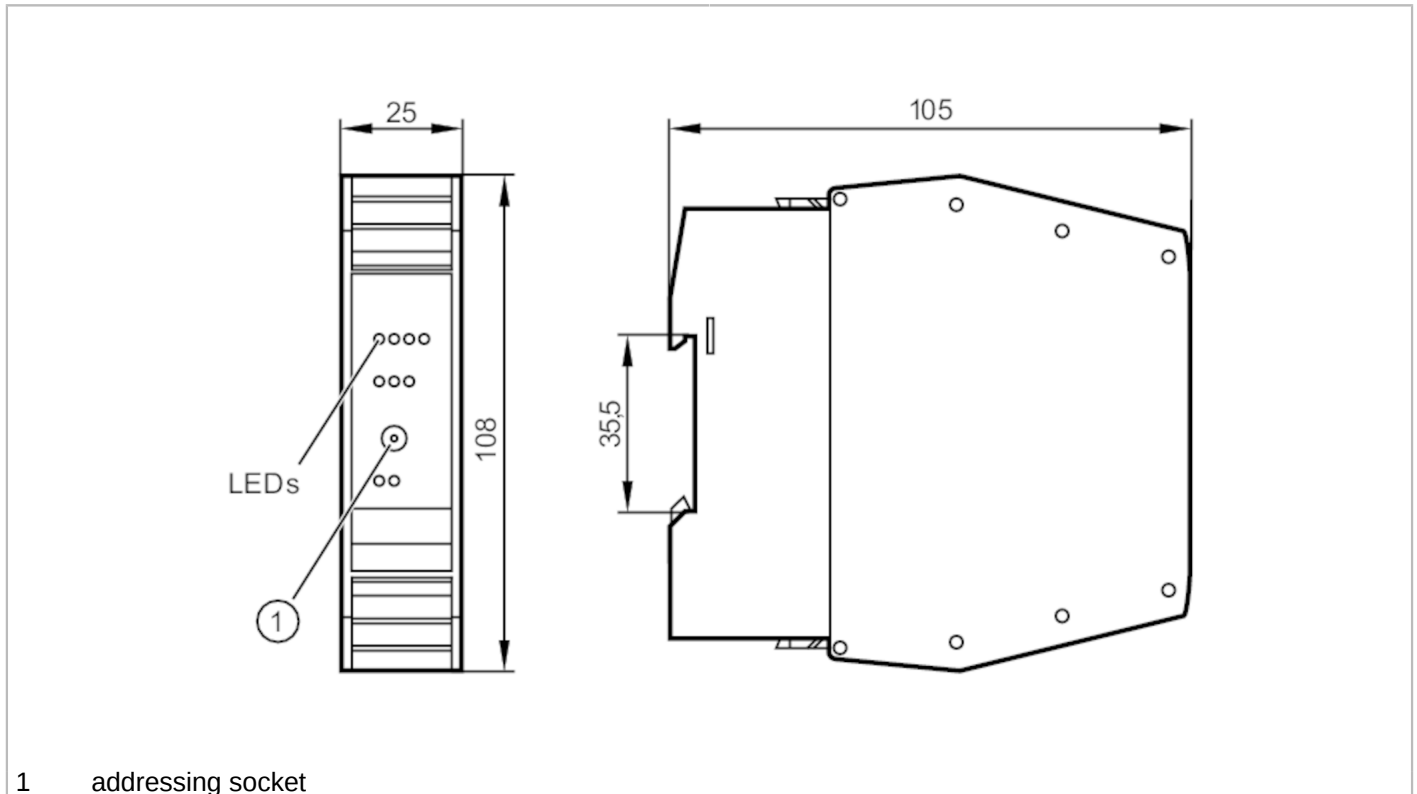


AC2251



AS-Interface control cabinet module

SmartL25 4DI 4DO T C



1 addressing socket



Electrical data	
Operating voltage [V]	26.5...31.6 DC
Max. current consumption from AS-i [mA]	250
Max. current load total [A]	4; (> 50 °C: 2000 mA)
Integrated watchdog	yes

Inputs / outputs	
Number of inputs and outputs	Number of digital inputs: 4; Number of digital outputs: 4

Inputs	
Number of digital inputs	4
Input circuit of digital inputs	PNP
Sensor supply of the inputs	AS-i
Voltage supply [V]	18...30
Max. total current rating of inputs [mA]	200
Input current High [mA]	6...10
Input current Low [mA]	0...2
Min. switching level high signal [V]	10
Digital inputs protected against short circuits	yes

AC2251



AS-Interface control cabinet module

SmartL25 4DI 4DO T C

Outputs					
Number of digital outputs	4				
Circuit	PNP				
Voltage range DC [V]	20...30; (external (E+/E-), to PELV)				
Max. current load per output [mA]	1000; (utilisation category DC-12: 700 mA; utilisation category DC-13 (control of electromagnets): 20 W (IEC 60947-5-1))				
Short-circuit proof	yes				
Electrically separated	yes				
Operating conditions					
Ambient temperature [°C]	-25...70				
Note on ambient temperature	cRUus: -25...60 °C				
Protection	IP 20				
Tests / approvals					
EMC	EN 50295				
MTTF [years]	184				
AS-i classification					
AS-i version	2.1				
AS-i addressing	addressing socket				
Extended addressing mode possible	no				
AS-i profile	S-7.0.E				
AS-i I/O configuration [hex]	7				
AS-i ID code [hex]	0.E				
AS-i certificate	37301				
Assignment of the data bits	data bit	D0	D1	D2	D3
	input	I-1	I-2	I-3	I-4
	Output	O-1	O-2	O-3	O-4
Mechanical data					
Weight [g]	141				
Type of mounting	mounting on DIN rail; string mounting possible				
Materials	PA				
Displays / operating elements					
Display	switching status		LED, yellow		
	operation		LED, green		
	errors		LED, red		
Accessories					
Accessories (optional)	COMBICON connectors				
Remarks					
Remarks	Inputs and outputs must be electrically isolated.				
	Do not connect any of the following points to an external potential: I-, I+, I1, I2, I3, I4				
	The connections are electrically connected with the AS-i cable.				
Pack quantity	1 pcs.				



AS-Interface control cabinet module

SmartL25 4DI 4DO T C

Electrical connection

COMBICON:

Connection

I-	I-	I-	I-
I1	I2	I3	I4
I+	I+	I+	I+

O-	O-	O-	O-
O1	O2	O3	O4
A+	A-	E+	E-

A+	AS-i +
A-	AS-i -
I+	Sensor supply +24V
I-	Sensor supply 0V
E+	actuator supply +24V
E-	actuator supply 0V
I1...I4	switching input sensor 1...4
O1...O4	switching output actuator 1...4
O-	switching output actuator 0V