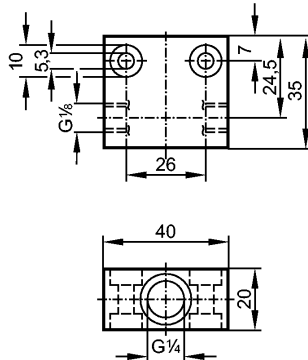


FLOW ADAPT SF PTFE

Accessories



Product characteristics	
Flow adapter (for low flow rates)	
G 1/4 - G 1/8	
Software / programming	
Flow rate [ml/min]	2...50
Environment	
Pressure rating [bar]	30
Medium temperature [°C]	0...80 *)
Mechanical data	
Process connection	G 1/8
for units with process connection	G 1/4
Design	for flow sensors with ceramic probe G 1/4
Sealing	with enclosed seal:
Housing materials	PTFE
Weight [kg]	0.048
Installation	via internal 1/8" male thread any mounting position
Remarks	
Pack quantity [piece]	1