

**Part no.: 50102956**  
**TFM 03 5125.220**  
**Transponder**



Figure can vary

## Contents

- Technical data
- Dimensioned drawings
- Notes

Part no.: 50102956 – TFM 03 5125.220 – Transponder

## Technical data

### Basic data

Series	TFM
Suitable for	RFM
Chip	TagIT HFI
Working frequency	13.56 MHz

### Electrical data

#### Performance data

Memory access	Read/Write
Memory size	256 B
Memory block	32 Piece(s)
Memory block size	8 B
Storage time	50 ms

### Certifications

Standards applied	ISO 15693
-------------------	-----------

### Mechanical data

Design	Card
Dimension (W x H x L)	28 mm x 1 mm x 50 mm
Housing material	Plastic , PET
Net weight	5 g

### Environmental data

Ambient temperature, operation	-20 ... 70 °C
Ambient temperature, storage	-25 ... 85 °C

### Certifications

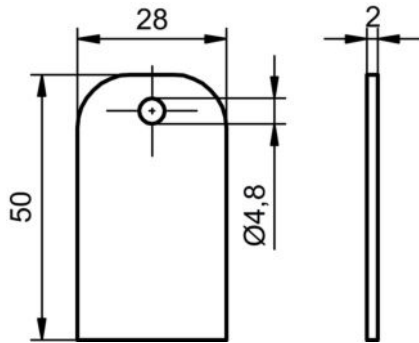
Degree of protection	IP 54
----------------------	-------

### Classification

Customs tariff number	85235200
eCl@ss 8.0	27289290
eCl@ss 9.0	27280402
ETIM 5.0	EC002996
ETIM 6.0	EC002996

## Dimensioned drawings

All dimensions in millimeters



## Notes

### Observe intended use!

- This product is not a safety sensor and is not intended as personnel protection.
  - The product may only be put into operation by competent persons.
  - Only use the product in accordance with its intended use.
- 
- Under certain circumstances, metal in the reading field reduces the operating range considerably.