

## MVP12, 8XM12, 5POLE, M23 19POL. CON.

Connector exit 90°

8-way, 5-pole

M23 plug connection, 90°

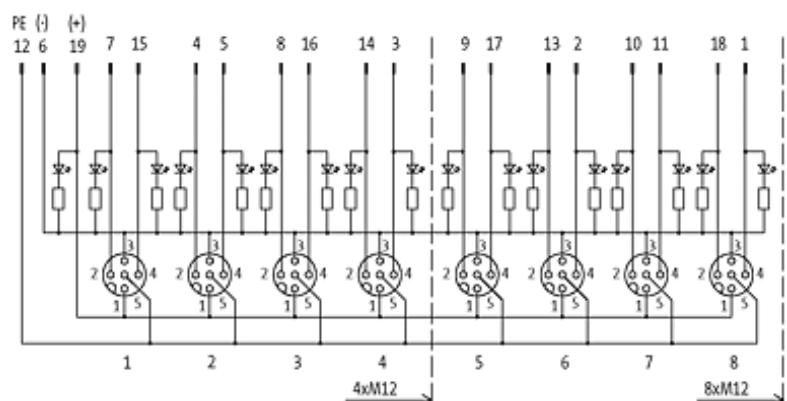
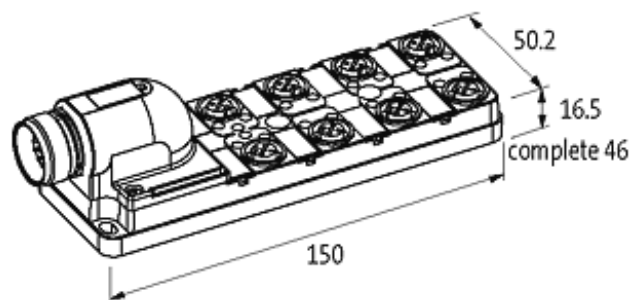
19-pole used

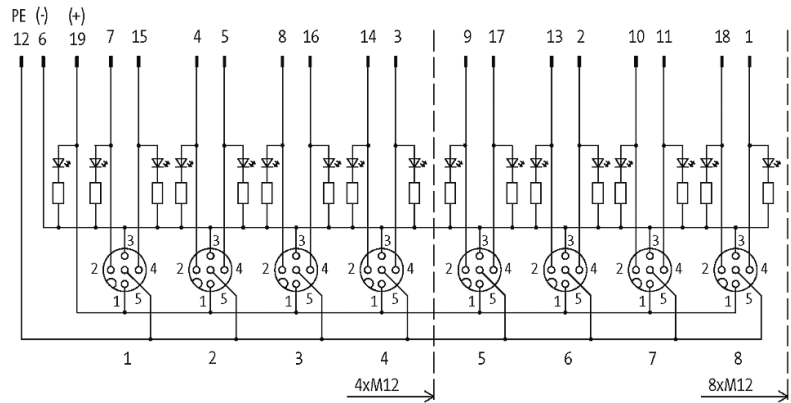
with LED for digital PNP-signals 24 V DC

Plastic housings with good resistance against chemicals and oils. The resistance to aggressive media should be individually tested for your application. Further details on request.

### [Link to Product](#)

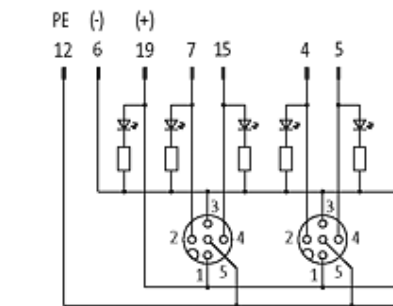
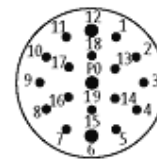
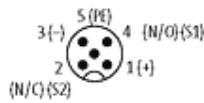
#### Illustration



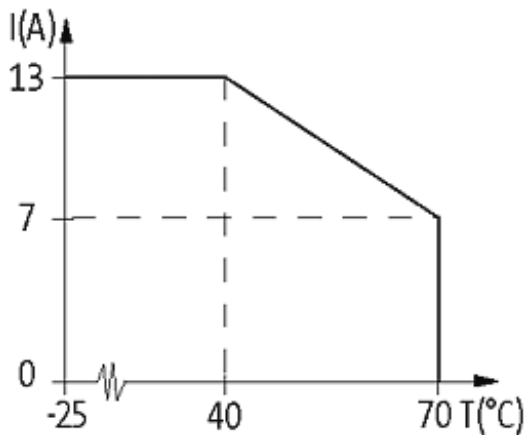


M12-Females 5-pole

M23-Plug 19-pole

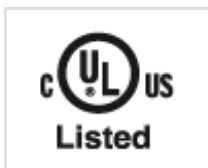


for 2 signals per port 1 2



Product may differ from Image

Approvals



Technical Data

The information in this brochure has been compiled with the utmost care. Liability for the correctness completeness and topicality of the information is restricted to gross negligence. Version: 05/15

Operating voltage	24 V DC
Signal per port	2
Operating current per contact	max. 4 A
Total current	max. 10 A
Housing	Plastic, flame retardant
Protection	IP67 inserted and tightened (EN 60529)
Locking of ports	Screw thread M12 × 1 mm

#### General data

Temperature range	-20...+80 °C
Dimensions H × W × D	150×50.2×16.5 mm

#### Contact layout

Contact 1	(+)
Contact 2	(NC)/(S2)
Contact 3	(-)
Contact 4	(NO)/(S1)
Contact 5	(Earth)
LED display	LED (green): Power / LED (yellow): (S1/S2)

#### Commercial data

country of origin	DE
customs tariff number	85369010
minimum order quantity	1