

## M8 female 0° LED with cable

PUR 3x0,25 gy UL,CSA+robot+drag chain 5m

M8

Female straight

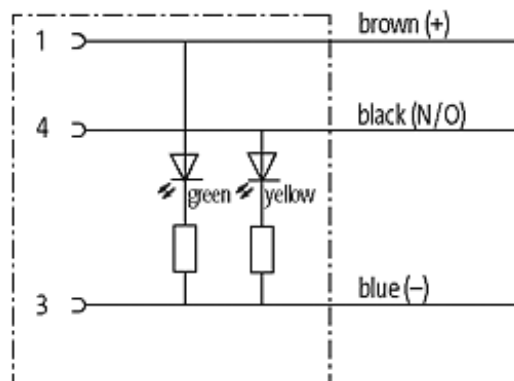
3-pole

2 × LED (PNP), (NPN) on request

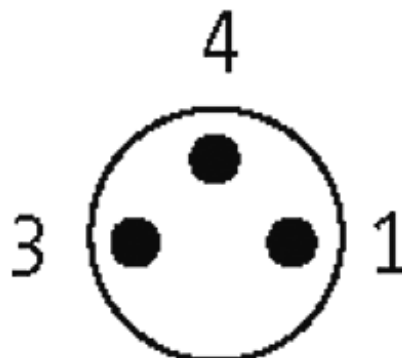
Plastic housings with good resistance against chemicals and oils. The resistance to aggressive media should be individually tested for your application. Further details on request. Further cable lengths on request.

### [Link to Product](#)

#### Illustration



Female





Product may differ from Image

### Approvals



### Form

08111

### Technical Data

Operating voltage	24 V DC $\pm$ 25 %
Operating current per contact	max. 4 A
Locking of ports	Screw thread M8 $\times$ 1 mm (recommended torque 0.4 Nm) self-securing
Protection	IP67 inserted and tightened (EN 60529)

### Cables

Cable number	250
No./diameter of wires	3 $\times$ 0.25 mm <sup>2</sup>
Wire isolation	PP (br, bl, bk)
C-track properties	10 Mio.
Torsion	1 Mio. $\pm$ 360°/m
Jacket Color	gray
Shore hardness outer jacket	58 $\pm$ 3D
Material (jacket)	PUR (UL/CSA), welding spark res.
Outer diameter	approx. 4.3 mm
Bend radius (fixed)	5 $\times$ outer $\varnothing$
Bend radius (moving)	10 $\times$ outer $\varnothing$
Temperature range (fixed)	-40...+90 °C
Temperature range (mobile)	-25...+90 °C

### Commercial data

country of origin	DE
customs tariff number	85444290
minimum order quantity	1