



SIMATIC NET, DP/AS-INTERFACE LINK 20 E ;
 GATEWAY PROFIBUS-DP / AS-INTERFACE ACC. TO
 AS-INTERFACE SPEC. V3.0 IN PROTECTION MODE
 IP20.

General technical data:		
Product designation		PROFIBUS DP/AS-Interface Link
Product type designation		DP/AS-Interface Link 20E (AS-i V 3.0)
Protection class IP		IP20
Type of electrical connection of the AS-interface		Screw-type connection
Type of voltage supply		via AS-i
Operating condition separate power supply 24 V		No
Consumed current		
<ul style="list-style-type: none"> from profile conductors of the AS-interface — at 30 V maximum 	mA	200
Active power loss	W	4.5
Insulation voltage Rated value	V	500
Product function suitable for AS-i Power24V		No
Product property redundancy capability		Yes
<ul style="list-style-type: none"> Note 		in connection with Y-Link
Product function		
<ul style="list-style-type: none"> web-based management Diagnostics via email Galvanic isolation 		No No Yes
Display version		
<ul style="list-style-type: none"> as status display by LED 		PWR, APF, CER, AUP, CM, BF, SF
Type of configuration of the AS-interface		Set pushbutton on device, STEP7, GSD, command interface
Communication/ Protocol:		
Version of the AS-interface specification		V 3.0

AS-interface master profile is supported		M4 (in acc. with AS-interface specification V 3.0)
Type of data transmission		PROFIBUS
Number of interfaces		
• as AS-interface		1
• acc. to RS 485		1
• acc. to Industrial Ethernet		0
• acc. to PROFINET		0
• acc. to wireless		0
• acc. to USB		0
• other		1
Product component optical interface		No
Protocol is supported		
• ASIsafe (Safety at work) protocol		No
• PROFIsafe protocol		No
• PROFIBUS protocol		Yes
• PROFINET IO protocol		No
• PROFINET CBA protocol		No
• TCP/IP		No
• SNMP		No
Standard for wireless communication IEEE 802.11		No

Inputs/ Outputs:

Number of inputs for AS Interface maximum		496
Number of outputs for AS Interface maximum		496
Number of AS-i slaves per AS-Interface maximum		62
Bus cycle time of the AS-interface		
• for 31 slaves	ms	5
• for 62 slaves	ms	10
Access to digital I/O data		via process diagram/peripheral addresses and data record transfer
Access to analog I/O data		via data record transfer

Mechanical data:

Width	mm	90
Height	mm	80
Depth	mm	62
Mounting type		snap-on fastening on 35 mm standard rail
Module format		IP20

Ambient conditions:





Ambient temperature		
• if installed on horizontal mounting rail	°C	0 ... 60
• if installed on vertical mounting rail during operation	°C	0 ... 45

• during transport	°C	-40 ... +70
• during storage	°C	-40 ... +70
Relative humidity at 25 °C during operation maximum	%	95
Installation altitude at height above sea level maximum	m	2 000

Safety related data:

Suitability for use safety-related function		No
Explosion protection marking for intrinsic safety of related equipment		
• EEx ia		No
• EEx ib		No
Explosion protection category for gas		none
Explosion protection category for dust		none

Certificates/ approvals:

General Product Approval	EMC	For use in hazardous locations
 UL		 C-TICK
		 ATEX

Further information

Information- and Downloadcenter (Catalogs, Brochures,...)

<http://www.siemens.com/industrial-controls/catalogs>

Industry Mall (Online ordering system)

<http://www.siemens.com/industrymall>

Cax online generator

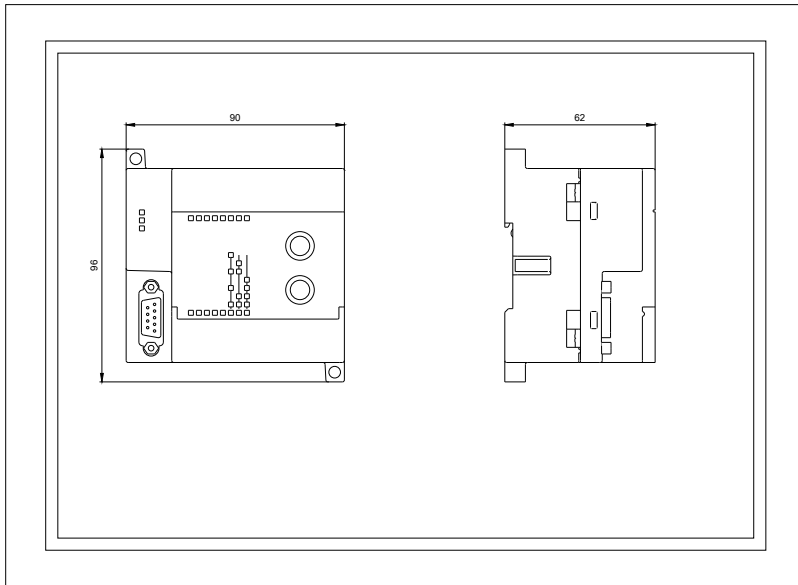
<http://support.automation.siemens.com/WW/CAXorder/default.aspx?lang=en&mlfb=6GK14152AA10>

Service&Support (Manuals, Certificates, Characteristics, FAQs,...)

<https://support.industry.siemens.com/cs/ww/en/ps/6GK14152AA10>

Image database (product images, 2D dimension drawings, 3D models, device circuit diagrams, EPLAN macros, ...)

http://www.automation.siemens.com/bilddb/cax_de.aspx?mlfb=6GK14152AA10&lang=en



last modified:

16.03.2015