

Index Plungers · with mounting flange, horizontal, stainless steel

22110.2304



**Product Description**

Index plungers are used for indexing bores.

**Material**

**Housing**

- Stainless steel 1.4308, precision casting, bright, matt blasted

**Locking pin**

- Stainless steel 1.4305

**Pull-ring**

- Stainless steel 1.4310

**Assembly**

Assembly by means of washers ISO 7092.

**Operation**

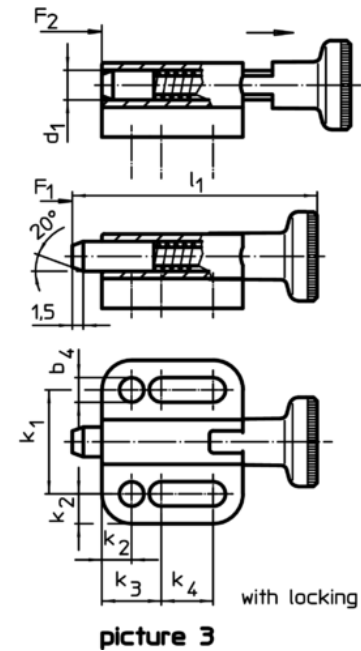
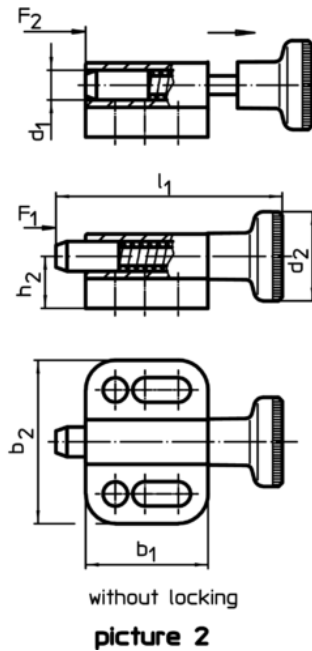
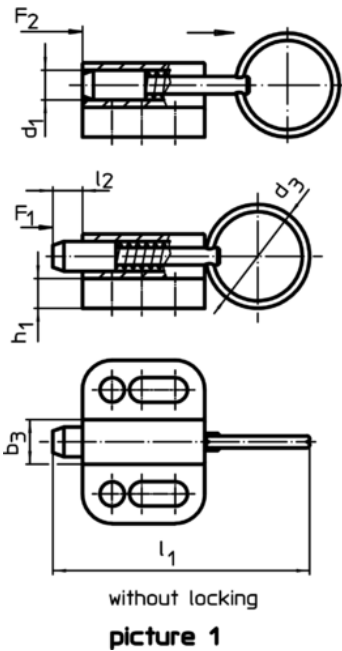
When using locking index plungers, the knob is pulled-out, turned 90° and secured by a notched catch (when locking pin should not overhang).

**More information**

**Notes**

Knob not removable.

**Drawing**



**Order information**

| Dimensions   |                |                |                |                |                |                |                |                |                |                |                |                |                | Spring load <sup>1)</sup> |                | 🌡️   | 🏋️  | Art. No.   |  |
|--|----------------|----------------|----------------|----------------|----------------|----------------|----------------|----------------|----------------|----------------|----------------|----------------|----------------|---------------------------|----------------|------|-----|------------|--|
| d <sub>1</sub>                                     | d <sub>3</sub> | b <sub>1</sub> | b <sub>2</sub> | b <sub>3</sub> | b <sub>4</sub> | h <sub>1</sub> | h <sub>2</sub> | k <sub>1</sub> | k <sub>2</sub> | k <sub>3</sub> | k <sub>4</sub> | l <sub>1</sub> | l <sub>2</sub> | F <sub>1</sub>            | F <sub>2</sub> | max. |     |            |  |
| [mm]   |                |                |                |                |                |                |                |                |                |                |                |                |                | ~                         | ~              | [°C] | [g] |            |  |
|  |                |                |                |                |                |                |                |                |                |                |                |                |                | min.                      |                | [N]  |     |            |  |
| <b>with pull-ring, without locking – picture 1</b> |                |                |                |                |                |                |                |                |                |                |                |                |                |                           |                |      |     |            |  |
| 4  | 14             | 16.5           | 22             | 6              | 3.3            | 4              | 7              | 14             | 4              | 8              | 4.5            | 34.5           | 4              | 3                         | 12             | 100  | 12  | 22110.2304 |  |

<sup>1)</sup> statistical average value

## Compliance

### RoHS compliant

Compliant according to Directive 2011/65/EU and Directive 2015/863

### Does not contain SVHC substances

No SVHC substances with more than 0.1% w/w contained - SVHC list [REACH] as of 10.06.2022

### Does not contain Proposition 65 substances

No Proposition 65 substances included  
<https://www.P65Warnings.ca.gov/>

### Free from Conflict Minerals