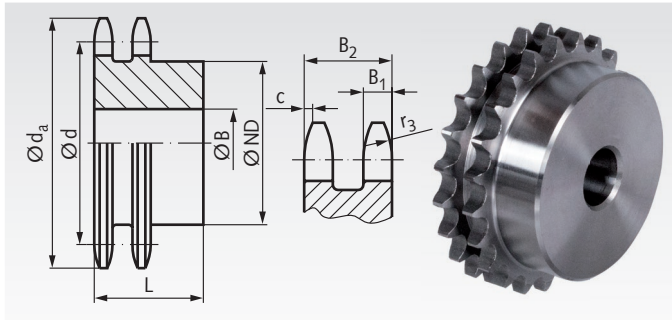


Double-Strand Sprockets ZRS with Hub, ISO 05 B-2



Material: Low-carbon steel, not hardable.
Pre-bored.

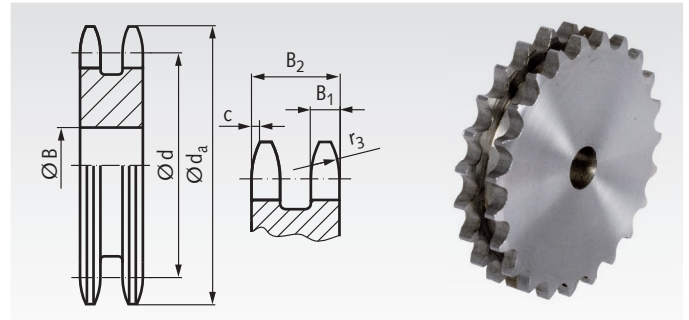
Ordering Details: e.g.: Product No. 120 108 00, ZRS, ISO 05 B-2, 8 Teeth

ISO 05 B-2, Pitch 8 mm

$B_1 = 2.7$ mm, $B_2 = 8.3$ mm, $c = 1.0$ mm, $r_3 = 8$ mm

| Product No. | Number of teeth | d_a mm | d mm | ND mm | B mm | L mm | Weight g |
|-------------|-----------------|----------|--------|-------|------|------|----------|
| 120 108 00 | 8 | 24,0 | 20,90 | 12 | 8 | 18 | 18 |
| 120 109 00 | 9 | 26,6 | 23,39 | 15 | 8 | 18 | 25 |
| 120 110 00 | 10 | 29,2 | 25,89 | 17 | 8 | 18 | 31 |
| 120 111 00 | 11 | 31,7 | 28,39 | 19 | 10 | 18 | 40 |
| 120 112 00 | 12 | 34,2 | 30,91 | 21 | 10 | 18 | 51 |
| 120 113 00 | 13 | 36,7 | 33,42 | 24 | 10 | 18 | 67 |
| 120 114 00 | 14 | 39,2 | 35,95 | 26 | 10 | 18 | 82 |
| 120 115 00 | 15 | 41,7 | 38,48 | 29 | 10 | 18 | 97 |
| 120 116 00 | 16 | 44,3 | 41,01 | 32 | 10 | 20 | 128 |
| 120 117 00 | 17 | 46,8 | 43,53 | 34 | 10 | 20 | 147 |
| 120 118 00 | 18 | 49,3 | 46,07 | 37 | 10 | 20 | 173 |
| 120 119 00 | 19 | 51,9 | 48,61 | 39 | 10 | 20 | 196 |
| 120 120 00 | 20 | 54,4 | 51,14 | 40 | 10 | 20 | 207 |
| 120 121 00 | 21 | 57,0 | 53,68 | 40 | 10 | 20 | 222 |
| 120 122 00 | 22 | 59,5 | 56,21 | 40 | 10 | 20 | 238 |
| 120 123 00 | 23 | 62,0 | 58,75 | 40 | 10 | 20 | 250 |
| 120 124 00 | 24 | 64,6 | 61,29 | 40 | 10 | 20 | 267 |
| 120 125 00 | 25 | 67,5 | 63,83 | 40 | 10 | 20 | 284 |
| 120 126 00 | 26 | 69,5 | 66,37 | 50 | 12 | 22 | 383 |
| 120 127 00 | 27 | 72,2 | 68,91 | 50 | 12 | 22 | 397 |
| 120 128 00 | 28 | 74,8 | 71,45 | 50 | 12 | 22 | 416 |
| 120 129 00 | 29 | 77,3 | 73,99 | 50 | 12 | 22 | 430 |
| 120 130 00 | 30 | 79,8 | 76,53 | 50 | 12 | 22 | 454 |
| 120 131 00 | 31 | 82,4 | 79,08 | 60 | 12 | 22 | 550 |
| 120 132 00 | 32 | 84,9 | 81,61 | 60 | 12 | 22 | 580 |
| 120 133 00 | 33 | 87,5 | 84,16 | 60 | 12 | 22 | 600 |
| 120 134 00 | 34 | 90,0 | 86,70 | 60 | 12 | 22 | 620 |
| 120 135 00 | 35 | 92,5 | 89,25 | 60 | 12 | 22 | 637 |
| 120 136 00 | 36 | 95,0 | 91,79 | 60 | 12 | 22 | 660 |
| 120 137 00 | 37 | 97,6 | 94,33 | 60 | 12 | 22 | 680 |
| 120 138 00 | 38 | 100,2 | 96,88 | 60 | 12 | 22 | 710 |
| 120 139 00 | 39 | 102,7 | 99,42 | 60 | 12 | 22 | 730 |
| 120 140 00 | 40 | 105,3 | 101,97 | 60 | 12 | 22 | 779 |

Double-Strand plate wheels ZRL, ISO 05 B-2



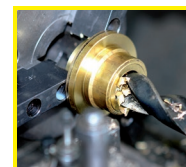
Material: Low-carbon steel, not hardable.
Pre-bored.

Ordering Details: e.g.: Product No. 120 211 00, ZRL, ISO 05 B-2, 11 Teeth

ISO 05 B-2, Pitch 8 mm

$B_1 = 2.7$ mm, $B_2 = 8.3$ mm, $c = 1.0$ mm, $r_3 = 8$ mm

| Product No. | Number of teeth | d_a mm | d mm | B mm | Weight g |
|-------------|-----------------|----------|--------|------|----------|
| 120 211 00 | 11 | 31,7 | 28,39 | 8 | 27 |
| 120 212 00 | 12 | 34,2 | 30,91 | 8 | 31 |
| 120 213 00 | 13 | 36,7 | 33,42 | 8 | 38 |
| 120 214 00 | 14 | 39,2 | 35,95 | 8 | 46 |
| 120 215 00 | 15 | 41,7 | 38,48 | 8 | 53 |
| 120 216 00 | 16 | 44,3 | 41,01 | 10 | 62 |
| 120 218 00 | 18 | 49,3 | 46,07 | 10 | 82 |
| 120 219 00 | 19 | 51,9 | 48,61 | 10 | 93 |
| 120 221 00 | 21 | 57,0 | 53,68 | 10 | 115 |
| 120 222 00 | 22 | 59,5 | 56,21 | 10 | 128 |
| 120 223 00 | 23 | 62,0 | 58,75 | 10 | 143 |
| 120 224 00 | 24 | 64,6 | 61,29 | 10 | 158 |
| 120 225 00 | 25 | 67,5 | 63,83 | 10 | 167 |
| 120 226 00 | 26 | 69,5 | 66,37 | 12 | 179 |
| 120 228 00 | 28 | 74,8 | 71,45 | 12 | 218 |
| 120 230 00 | 30 | 79,8 | 76,53 | 12 | 254 |
| 120 232 00 | 32 | 84,9 | 81,61 | 12 | 288 |
| 120 235 00 | 35 | 92,5 | 89,25 | 12 | 350 |
| 120 238 00 | 38 | 100,2 | 96,88 | 12 | 424 |
| 120 257 00 | 57 | 148,6 | 145,22 | 16 | 985 |
| 120 260 00 | 60 | 156,2 | 152,85 | 16 | 1083 |
| 120 265 00 | 65 | 169,6 | 165,58 | 20 | 1308 |
| 120 276 00 | 76 | 197,7 | 193,59 | 20 | 1785 |



**Reworking within
24h-service possible.
Custom made parts
on request.**