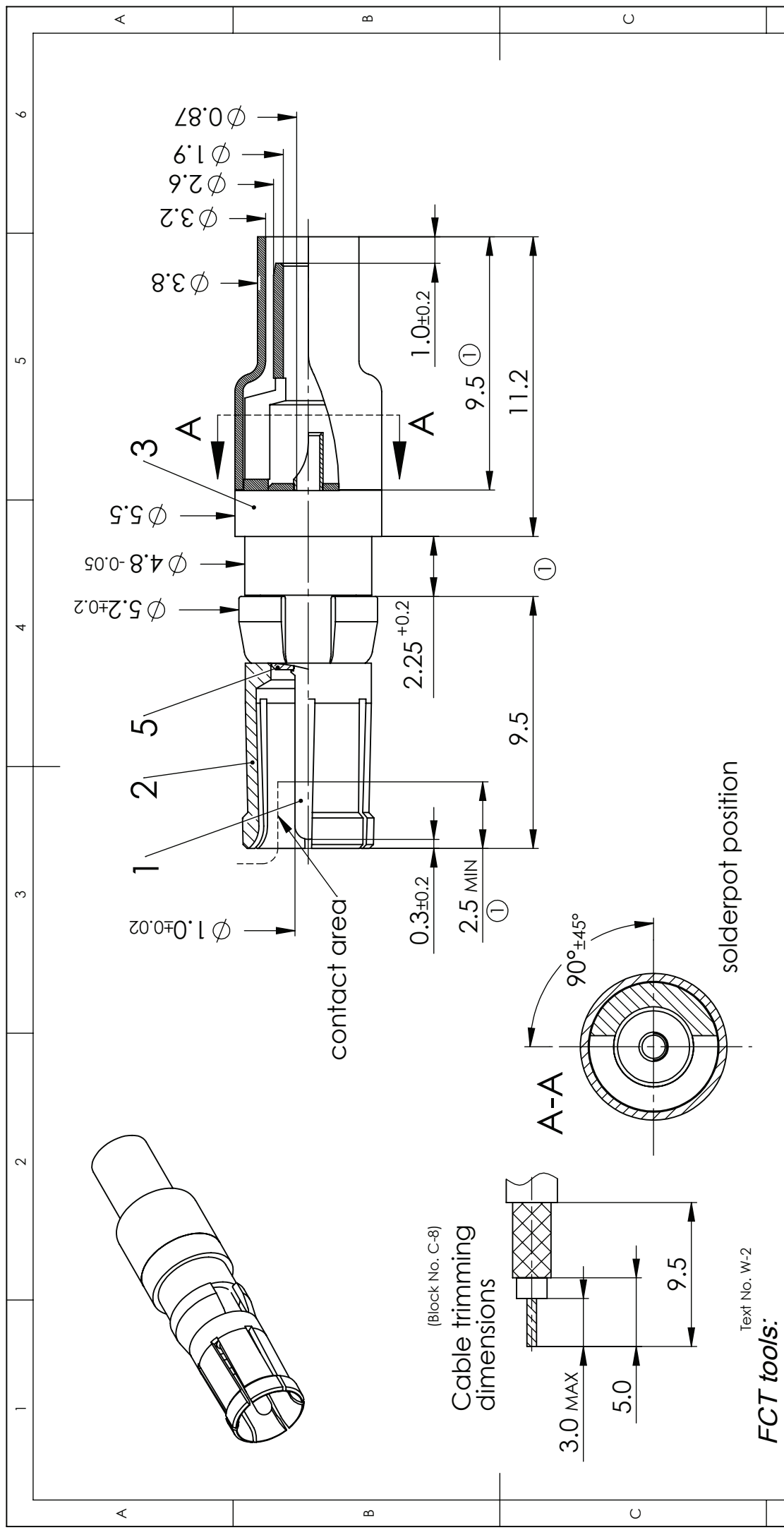



COMMENT:  
 ALL RIGHTS ARE RESERVED BY US FOR THIS DRAWING. WITHOUT OUR PRIOR CONSENT,  
 IT MAY NEITHER BE DUPLICATED NOR MADE AVAILABLE TO A THIRD PARTY,  
 AND IT ALSO MAY NOT BE IMPROPERLY USED BY THE RECEIVER, OR A THIRD PARTY.



IMPEDANCE		50 Ohm		SCALE		5:1		CABLE		RG174U, RG188AU, RG316U	
FOR		D-SUB		COAXIAL CONTACT				DATA SHEET			
DIMENSIONS IN MM				DRAWN		NAME / DATE					
				CHECKED		fuhmann 07-07-2006					
MATERIAL + FINISH SEE EXTRA SHEET						SSC <pre> 24-10-2012</pre>					
UNLESS OTHERWISE SPECIFIED DIMENSIONS FOR REFERENCE ONLY										PART NO. FMX006S	
2	17-10-2012	23305	INDEX	 www.fctgroup.com						REV. 2	
1										REPLACEMENT FOR: PAGE: 1/1	

Text No. W-2

**FCT tools:**

- Crimping of outer conductor:  
 Hand tool: M22520/5-01  
 Die: Y1535P cavity B
- Pneumatic crimp tool: HX23  
 (replacement for PH4001) ②
- Extraction tool: DRK38

(Block No. C-8)  
 Cable trimming  
 dimensions

