

Würth Elektronik eiSos GmbH & Co. KG

EMC & Inductive Solutions

Max-Eyth-Straße 1 · 74638 Waldenburg · Germany

Tel. +49 (0) 79 42 945-0 · Fax +49 (0) 79 42 945-400

eiSos@we-online.de · www.we-online.de



Product / Process Change Notification (PCN)

- Major change
 Minor change

PCN #: PCN_WCAP-PHGP_20210614

Affected Series: WCAP-PHGP

PCN Date: March 15, 2021

Effective Date: June 14, 2021

Change Category:

- Equipment / Location
 General Data
 Material
 Process
 Product Design
 Shipping / Packaging
 Supplier
 Software

Contact: Product Management

Phone: +49 (0) 7942 - 945 5001

Fax: +49 (0) 7942 - 945 5179

E-Mail: pcn.eisos@we-online.com

Data Sheet Change:

Yes No

Attachment:

Yes No

DESCRIPTION AND PURPOSE OF CHANGE:

Due to database mismatches, Würth Elektronik is going to correct the datasheets of the product series WCAP-PHGP.

All products affected by changes are listed below.

This is a datasheet correction only. There will be no change in form, fit, function, quality or reliability of the product.

DETAIL OF CHANGE:

- Würth Elektronik corrects the tape packaging specification for all products of WCAP-PHGP:

Würth Elektronik eiSos GmbH & Co. KG

EMC & Inductive Solutions

Max-Eyth-Straße 1 · 74638 Waldenburg · Germany

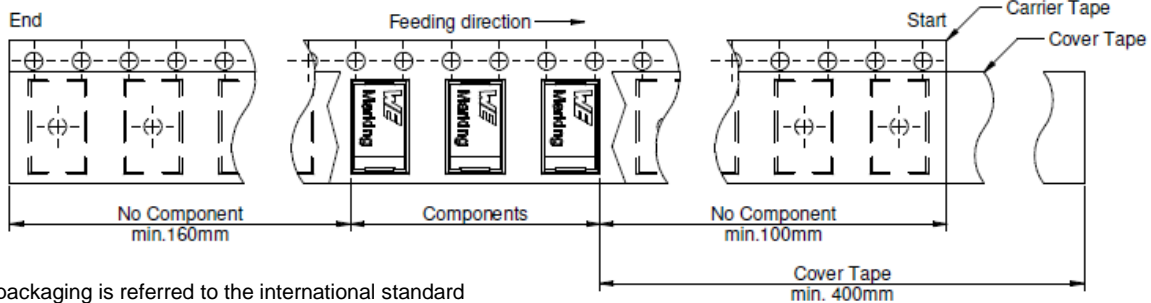
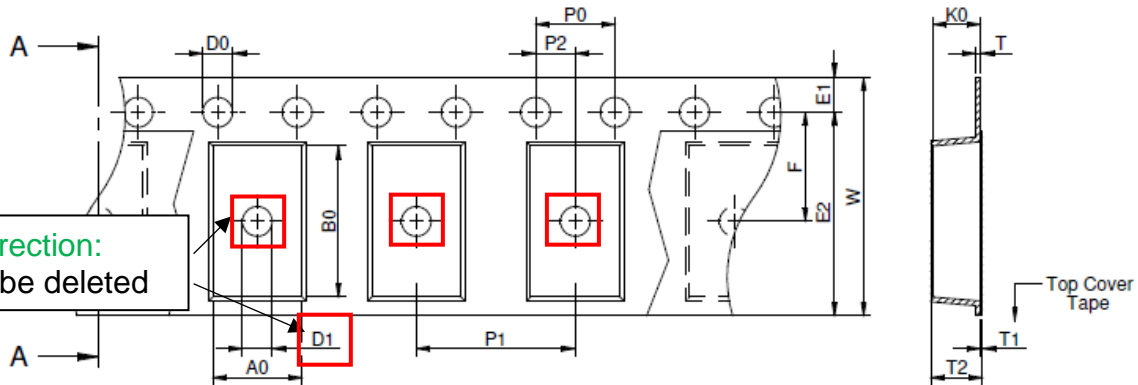
Tel. +49(0)79 42 945-0 · Fax +49(0)79 42 945-400

eiSos@we-online.de · www.we-online.de



Before correction:

Packaging Specification - Tape and Reel: [mm]



packaging is referred to the international standard IEC 60286-2

Tape Type	A0 (mm)	B0 (mm)	W (mm)	T (mm)	T1 (mm)	T2 (mm)	K0 (mm)	P0 (mm)	P1 (mm)	P2 (mm)	D0 (mm)	D1 (mm)	E1 (mm)	E2 (mm)	F (mm)	Material	Qty. (pcs.)
	typ.	typ.	+0,3/-0,1	ref.	max.	typ.	typ.	±0,1	±0,1	±0,05	+0,1/-0,0	min.	±0,1	min.	±0,05		
2a	4,50	7,60	12,00		0,10		2,40	4,00	8,00	2,00	1,50	1,50	1,75	10,25	5,50	Polystyrene	3500

Würth Elektronik eiSos GmbH & Co. KG

EMC & Inductive Solutions

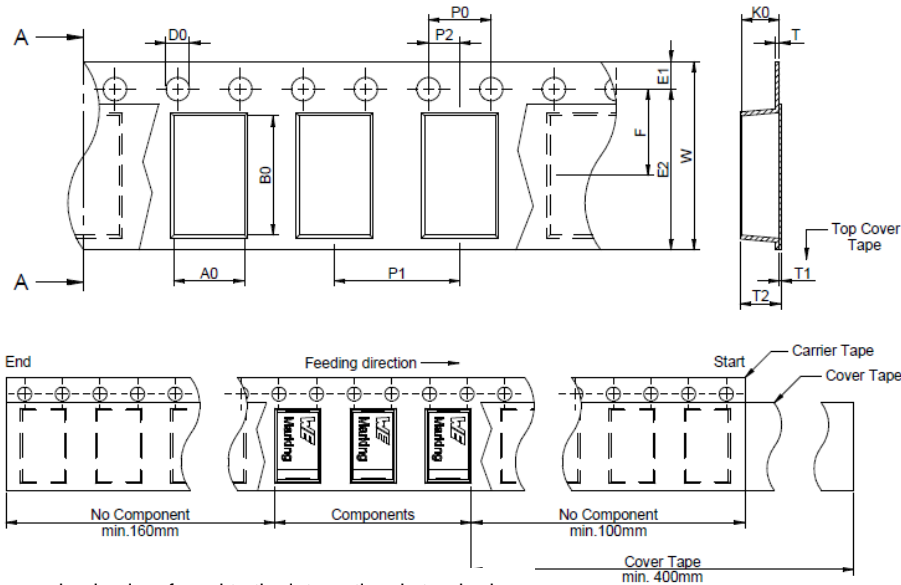
Max-Eyth-Straße 1 · 74638 Waldenburg · Germany

Tel. +49(0)79 42 945-0 · Fax +49(0)79 42 945-400

eiSos@we-online.de · www.we-online.de



After correction:



packaging is referred to the international standard IEC 60286-3

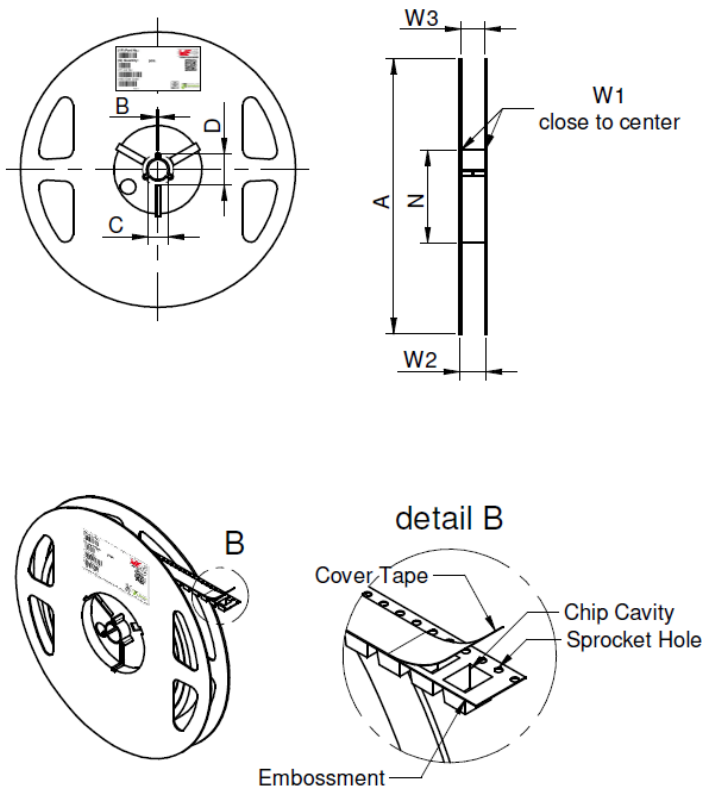
Specification after correction:

Tape Type	A0 (mm)	B0 (mm)	W (mm)	T (mm)	T1 (mm)	T2 (mm)	K0 (mm)
	typ.	typ.	+0,3/ -0,1	typ.	typ.	typ.	typ.
2a	4,50	7,60	12,00	0,30	0,05	2,55	2,40

P0 (mm)	P1 (mm)	P2 (mm)	D0 (mm)	E1 (mm)	E2 (mm)	F (mm)	Material	Qty. (pcs.)
±0,1	±0,1	±0,05	+0,1/ -0,0	±0,1	min.	±0,05		
4,00	8,00	2,00	1,50	1,75	10,25	5,50	Polystyrene	3500

- Würth Elektronik corrects the reel packaging specification for all products of WCAP-PHGP:

Before correction:



A (mm)	B (mm)	C (mm)	D (mm)	N (mm)	W1 (mm)	W2 (mm)	W3 (mm)	W3 (mm)	Material
± 2,0	min.	min.	min.	min.	+ 2,0	max.	min.	max.	
330,00	1,50	12,80	20,20	60,00	12,40	18,40	11,90	15,40	Polystyrene/ Polyurethane

Specification after correction:

	A (mm)	B (mm)	C (mm)	D (mm)	N (mm)	W1 (mm)	W2 (mm)	W3 (mm)	W3 (mm)	Material
Tol.	± 2,0	min.	min.	min.	typ.	+ 2,0	max.	min.	max.	
Value	330,00	1,50	12,80	20,20	80,00	12,40	18,40	11,90	15,40	Poly-styrene

- Würth Elektronik also adds the specification for the inner and outer carton to the datasheets. Please have a look at the new datasheet.

- Würth Elektronik adds the ripple current multiplier for lower frequencies for all products of WCAP-PHGP:

Before

Multiplier for Ripple Current vs. Frequency

Frequency	Multiplier
10 kHz ≤ freq. < 20 kHz	0.6
20 kHz ≤ freq. < 50 kHz	0.7
50 kHz ≤ freq. < 100 kHz	0.8
100 kHz ≤ freq. < 200 kHz	1.0
200 kHz ≤ freq. < 500 kHz	0.8
500 kHz ≤ freq. < 1 MHz	0.7
1 MHz ≤ freq. < 10 MHz	0.4

After

Frequency	Multiplier
100 Hz ≤ freq. < 1 kHz	0.05
1 kHz ≤ freq. < 10 kHz	0.3
10 kHz ≤ freq. < 20 kHz	0.6
20 kHz ≤ freq. < 50 kHz	0.7
50 kHz ≤ freq. < 100 kHz	0.8
100 kHz ≤ freq. < 200 kHz	1.0
200 kHz ≤ freq. < 500 kHz	0.8
500 kHz ≤ freq. < 1 MHz	0.7
1 MHz ≤ freq. < 10 MHz	0.4

- Würth Elektronik corrects the Technical Reference for the following part numbers:

WE P/N	Technical Reference before correction	Technical Reference after correction
875015019003	PSE2917121M004DHCT1HT19	PSE2917181M004DHCT2HT19
875015019004	PSE2917221M004DHCT1HT19	PSE2917221M004DHCT2HT19
875015019005	PSE2917331M004DHCT1HT19	PSE2917331M004DHCT2HT19
875015119003	PSE2917101M6R3DHCT1HT19	PSE2917101M6R3DHCT2HT19
875015119004	PSE2917151M6R3DHCT1HT19	PSE2917151M6R3DHCT2HT19
875015119005	PSE2917181M6R3DHCT1HT19	PSE2917181M6R3DHCT2HT19
875015119006	PSE2917221M6R3DHCT1HT19	PSE2917221M6R3DHCT2HT19
875016219004	PSE2917331M002DHCT1HT19	PSE2917331M002DHCT2HT19
875016219005	PSE2917391M002DHCT1HT19	PSE2917391M002DHCT2HT19
875016219006	PSE2917471M002DHCT1HT19	PSE2917471M002DHCT2HT19
875016219007	PSE2917561M002DHCT1HT19	PSE2917561M002DHCT2HT19
875016319002	PSE2917331M2R5DHCT1HT19	PSE2917331M2R5DHCT2HT19
875016319003	PSE2917391M2R5DHCT1HT19	PSE2917391M2R5DHCT2HT19
875016319004	PSE2917471M2R5DHCT1HT19	PSE2917471M2R5DHCT2HT19

Würth Elektronik eiSos GmbH & Co. KG

EMC & Inductive Solutions

Max-Eyth-Straße 1 · 74638 Waldenburg · Germany

Tel. +49 (0) 79 42 945-0 · Fax +49 (0) 79 42 945-400

eiSos@we-online.de · www.we-online.de



- Würth Elektronik updates the Cautions and Warnings for all products of WCAP-PHGP:

Please have a look at the new datasheet.

Especially the following paragraph is updated:

Before

A storage of Würth Elektronik products for longer than **24** months is not recommended. Within other effects, the terminals may suffer degradation, resulting in bad solderability. Therefore, all products shall be used within the period of **24** months based on the day of shipment.

After

A storage of Würth Elektronik products for longer than **12** months is not recommended. Within other effects, the terminals may suffer degradation, resulting in bad solderability. Therefore, all products shall be used within the period of **12** months based on the day of shipment.

RELIABILITY / QUALIFICATION SUMMARY:

There will be no change of the product, therefore no additional reliability or qualification testing will be performed.