

# LQM18DH330M70L

"#" indicates a package specification code.

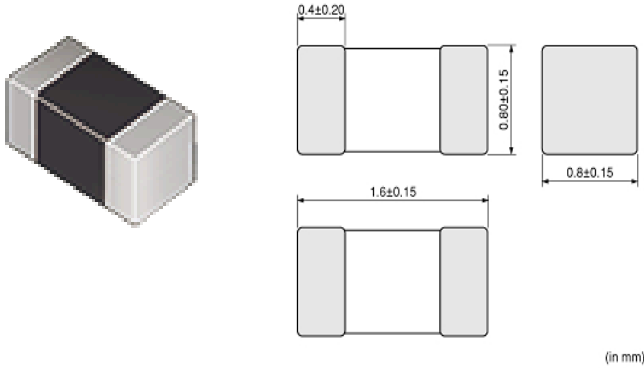
## Bias Current Characteristics Improved



### < List of part numbers with package codes >

LQM18DH330M70B      LQM18DH330M70L

## Appearance & Shape



## References

Packaging	Specifications	Standard Packing Quantity
B	Bulk(Bag)	1000
L	180Embossed Tape	4000

Mass (typ.)	
1 piece	0.005g

### Attention

- 1.This datasheet is downloaded from the website of Murata Manufacturing Co., Ltd. Therefore, it's specifications are subject to change or our products in it may be discontinued without advance notice. Please check with our sales representatives or product engineers before ordering.
- 2.This datasheet has only typical specifications because there is no space for detailed specifications. Therefore, please review our product specifications or consult the approval sheet for product specifications before ordering.

# LQM18DH330M70L

“#” indicates a package specification code.



## Specifications

L size	1.6±0.15mm
W size	0.8±0.15mm
T size	0.8±0.15mm
Size code inch (mm)	0603 (1608)
Inductance	33μH±20%
Inductance Test Frequency	1MHz
Rated current (Isat) (Based on Inductance change)	30mA
Rated current (Itemp) (Based on Temperature rise)	200mA(Ambient temp.125°C) 10mA(Ambient temp.150°C)
Max. of DC resistance	3.12Ω
Class of magnetic shield	Ferrite Core
Self resonance frequency (min.)	13MHz
DC Resistance Intermediate Values	2.4Ω±0.72Ω
Operating Temperature Range	-55°C to 150°C
Series	LQM18DH_70

### Attention

1.This datasheet is downloaded from the website of Murata Manufacturing Co., Ltd. Therefore, it's specifications are subject to change or our products in it may be discontinued without advance notice. Please check with our sales representatives or product engineers before ordering.

2.This datasheet has only typical specifications because there is no space for detailed specifications.

Therefore, please review our product specifications or consult the approval sheet for product specifications before ordering.

# LQM18DH330M70L

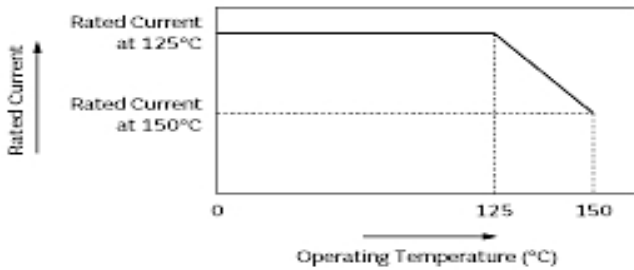
“#” indicates a package specification code.

## Notice For General

In operating temperatures exceeding +125°C, derating of current is necessary for this series.

Please apply the derating curve shown in the chart according to the operating temperature.

### Derating of Rated Current



### Attention

- 1.This datasheet is downloaded from the website of Murata Manufacturing Co., Ltd. Therefore, it's specifications are subject to change or our products in it may be discontinued without advance notice. Please check with our sales representatives or product engineers before ordering.
- 2.This datasheet has only typical specifications because there is no space for detailed specifications. Therefore, please review our product specifications or consult the approval sheet for product specifications before ordering.