

Socket for Mini Shrouded Relays

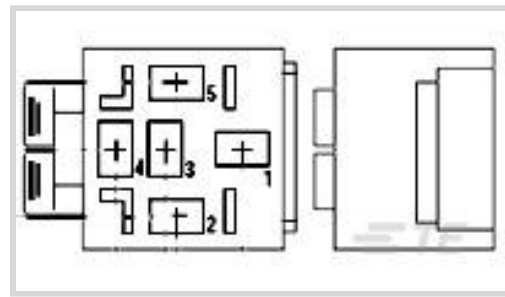
TE Internal #: 1-1393305-3

Socket for Mini Shrouded Relays, Relay Sockets, Bracket Mount, Relay Socket For Use With Plug-In Mini (Shrouded) Relays

[View on TE.com >](#)



Relays, Contactors & Switches > Relays > Automotive Relays > Automotive Plug-In Relays > Relay Sockets



Relay Socket Type: **Bracket Mount**

Relay Socket For Use With: **Plug-In Mini (Shrouded) Relays**

Features

Product Type Features

Product Type	Socket
--------------	--------

Contact Features

Relay Socket Type	Bracket Mount
-------------------	---------------

Operation/Application

Relay Socket For Use With	Plug-In Mini (Shrouded) Relays
---------------------------	--------------------------------

Other

Additional Information	Crimp Terminal Part Number 1-1393310-8 - Wire AWG 18-20 - Qty. Required Form C - 3, Crimp Terminal Part Number 1-1393310-9 - Wire AWG 14-16 - Qty. Required Form C - 3, Crimp Terminal Part Number 2-1393310-0 - Wire AWG 10-12 - Qty. Required Form C - 3, Crimp Terminals Not Included. Order Separately.
------------------------	---

Product Compliance

[For compliance documentation, visit the product page on TE.com>](#)

EU RoHS Directive 2011/65/EU	Compliant
EU ELV Directive 2000/53/EC	Compliant
China RoHS 2 Directive MIIT Order No 32, 2016	No Restricted Materials Above Threshold
EU REACH Regulation (EC) No. 1907/2006	Current ECHA Candidate List: JAN 2021 (211) Candidate List Declared Against: JAN 2018 (181) SVHC > Threshold:



Not Yet Reviewed

Halogen Content

Low Halogen - Br, Cl, F, I < 900 ppm per homogenous material. Also BFR/CFR/PVC Free

Solder Process Capability

Not applicable for solder process capability

Product Compliance Disclaimer

This information is provided based on reasonable inquiry of our suppliers and represents our current actual knowledge based on the information they provided. This information is subject to change. The part numbers that TE has identified as EU RoHS compliant have a maximum concentration of 0.1% by weight in homogenous materials for lead, hexavalent chromium, mercury, PBB, PBDE, DBP, BBP, DEHP, DIBP, and 0.01% for cadmium, or qualify for an exemption to these limits as defined in the Annexes of Directive 2011/65/EU (RoHS2). Finished electrical and electronic equipment products will be CE marked as required by Directive 2011/65/EU. Components may not be CE marked. Additionally, the part numbers that TE has identified as EU ELV compliant have a maximum concentration of 0.1% by weight in homogenous materials for lead, hexavalent chromium, and mercury, and 0.01% for cadmium, or qualify for an exemption to these limits as defined in the Annexes of Directive 2000/53/EC (ELV). Regarding the REACH Regulation, the information TE provides on SVHC in articles for this part number is based on the latest European Chemicals Agency (ECHA) 'Guidance on requirements for substances in articles' posted at this URL: <https://echa.europa.eu/guidance-documents/guidance-on-reach>

Also in the Series | **Socket for Mini Shrouded Relays**



Relay Sockets(1)

Customers Also Bought



TE Part #1-794220-0
MINI UMNL2 PIN 22-18 AWG AU



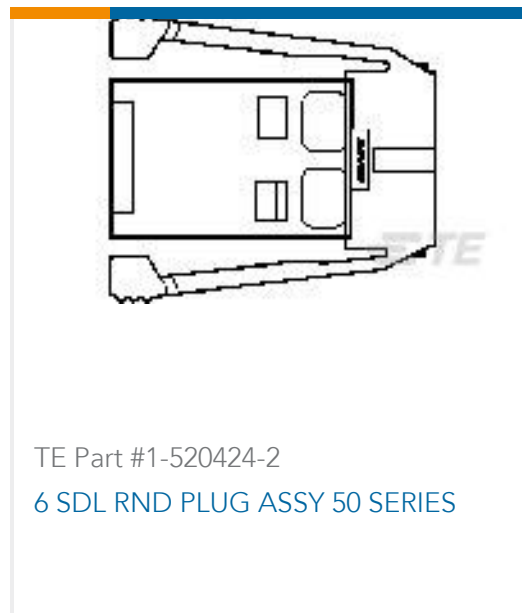
TE Part #1624094-8
3613C 22UH 10%



TE Part #1563189-3
TIMER, CONNECTOR HOUSING



TE Part #T4151410004-002
M12 A-CODE FEMALE R/A SINGLE ENDED CABL



TE Part #1-520424-2
6 SDL RND PLUG ASSY 50 SERIES



TE Part #1587828-3
INNER FERRULE, SIZE C, HVA280-2PI



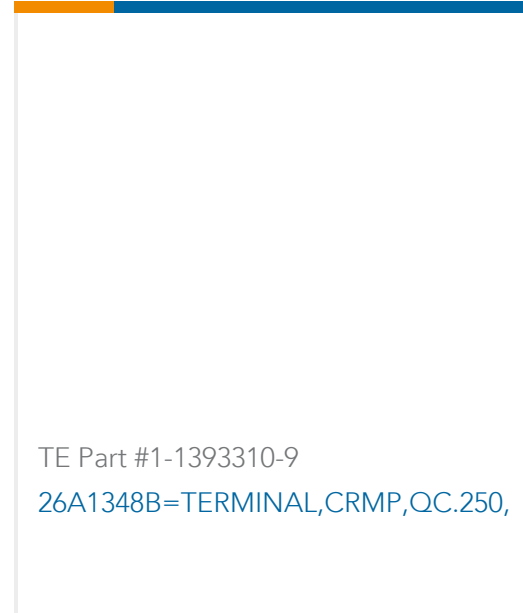
TE Part #1064391-1
9950 4200 01



TE Part #160534-3
110 FASTON,REC.,17-20 AWG,BR



TE Part #144518-1
5 P MIC4 DBLE LOCK PLUG



TE Part #1-1393310-9
26A1348B=TERMINAL,CRMP,QC.250,

Documents

CAD Files

3D PDF

3D

Customer View Model

[ENG_CVM_CVM_1-1393305-3_B.2d_dxf.zip](#)

English

Customer View Model

[ENG_CVM_CVM_1-1393305-3_B.3d_igs.zip](#)

English

Customer View Model

[ENG_CVM_CVM_1-1393305-3_B.3d_stp.zip](#)

English

By downloading the CAD file I accept and agree to the [Terms and Conditions](#) of use.

Datasheets & Catalog Pages

Automotive Relay Application Notes

English

[Connectors for Mini \(Shrouded\)/Maxi ISO, Connectors Production Production North America, Accessories](#)

English

Product Specifications

Definitions, Handling, Processing, Testing and Use of Relays

English