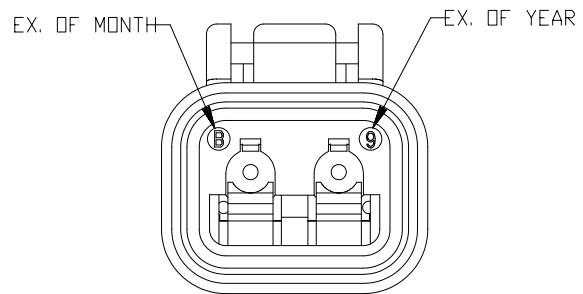


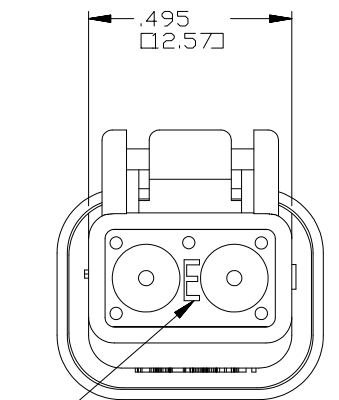
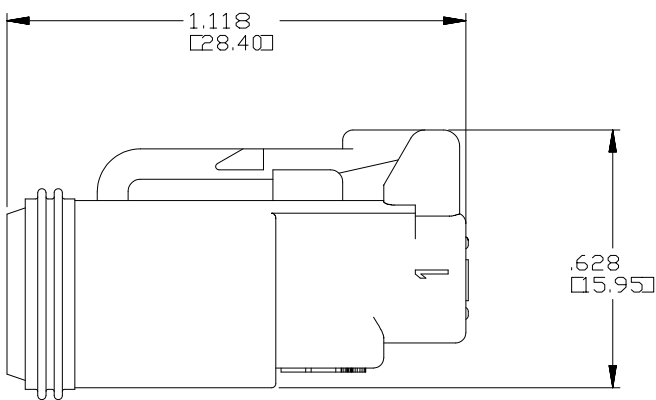
REV  
A DT06-2S-CE06

REVISIONS			
SYM	DESCRIPTION	DATE	APPROVED
NC	NEW RELEASE PER E.O. P15977	3/29/99	R.D.R.
A	REVISED PER E.O. P18582	5/26/04	R.D.R.

CONTACT SIZE	MIN. INSUL □.D.	MAX. INSUL □.D.	WIRE RANGE [mm <sup>2</sup> ]
16	.053 [1.35]	.120 [3.05]	14-20 AWG [2.0-0.5]



DATE LEGEND  
YEAR TO BE REPRESENTED BY LAST NUMERICAL DIGIT.  
MONTH USES SEQUENTIAL ALPHA CHARACTERS, EX: A=JANUARY...



← DESIGNATES -E- WIRE SEALS

- THIS PLUG MATES WITH THE DT04-2P-\*\*\*\* RECEPTACLE (\*\*\*\* = ALL MODIFICATIONS).
- FOR MORE INFO. SEE ENVELOPE DRAWING 0425-017-0000 AND 0425-015-0000
- CONSULT FACTORY FOR SPECIFICATIONS AND APPLICATION.
- ALL DIMENSIONS ARE ±.025(0.63)

NOTES:

1. ALL DIMENSIONS ARE INCHES (MILLIMETERS).

SIGNATURE & DATE	
DR	D.SPENCER 17MAR99
CHK	J. LIM 5/25/04
PE	T.YOHANNES 5/20/04
APPD	S. BEARD 5-20-04
SCALE 3.5:1	WT _____

2 WAY PLUG  
CE06 MOD.  
DT SERIES

ENVELOPE

CP	MATL. CODE
<b>The Deutsch Company</b> DEUTSCH I.P.D. 3850 INDUSTRIAL AVE. HEMET, CALIF. 92545	
B	DT06-2S-CE06
DWG SIZE	CODE 11139 SHEET 1 OF 1