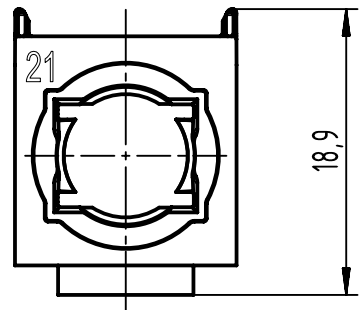
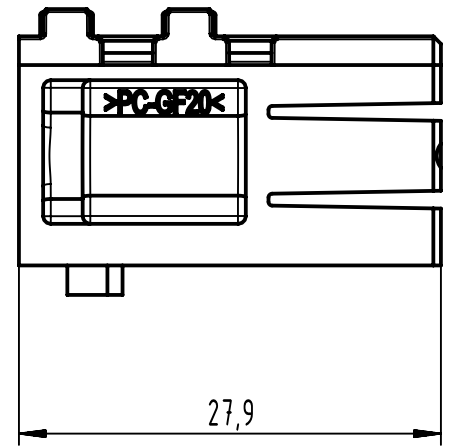
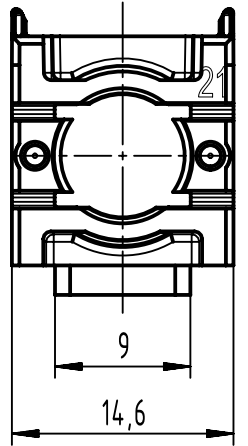
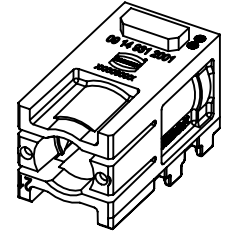
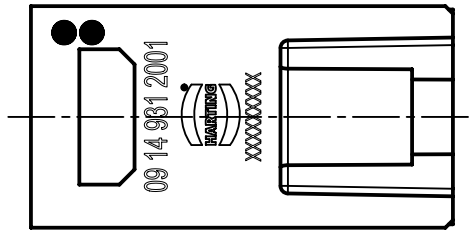



1 2 3 4 5 6

A  
B  
C  
D



	All rights reserved Department EL PD	All Dimensions in mm Original Size DIN A4		Scale 2:1	Free size tol.		Ref.		
		Created by HOLLERT		Inspected by RUETERA		Standardisation SAP_WFRT		Date 2022-05-31	
HARTING D-32339 Espelkamp		Title Han Domino Pneumatic cube (MF.2)						State Final Release	
		Type TB		Number 09 14 931 2001				Doc-Key / ECM-Nr. 100960971/UGD/001/B 500000218497	
						Rev. B		Page 1/1	