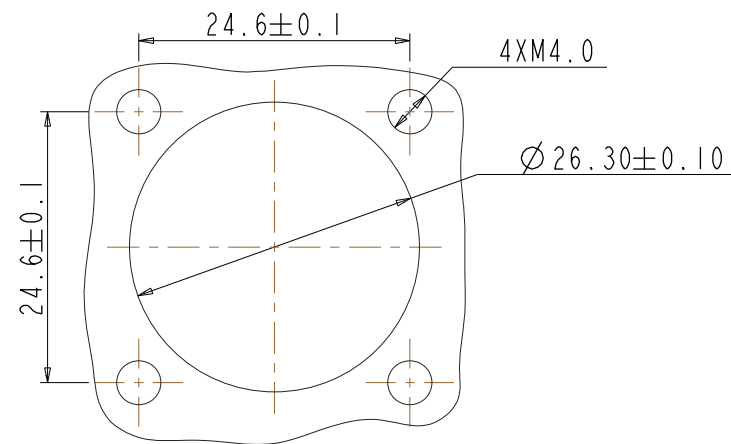
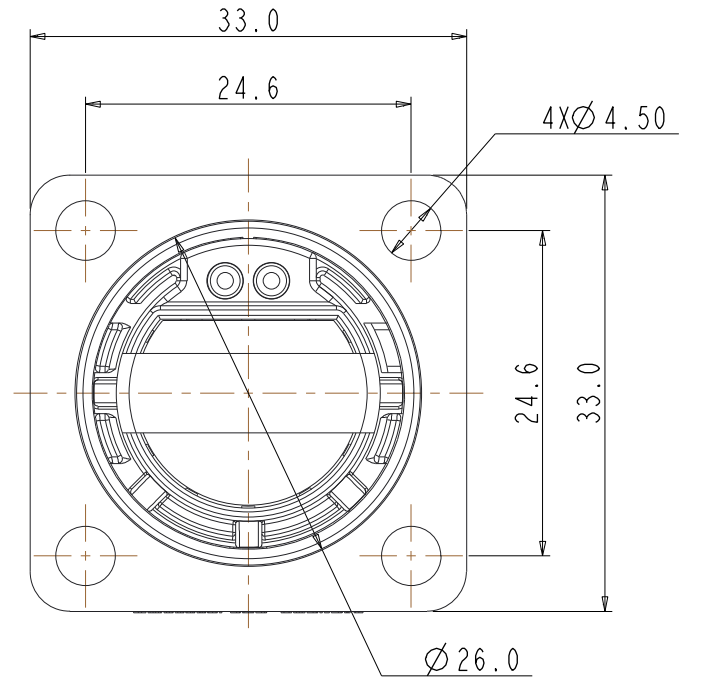
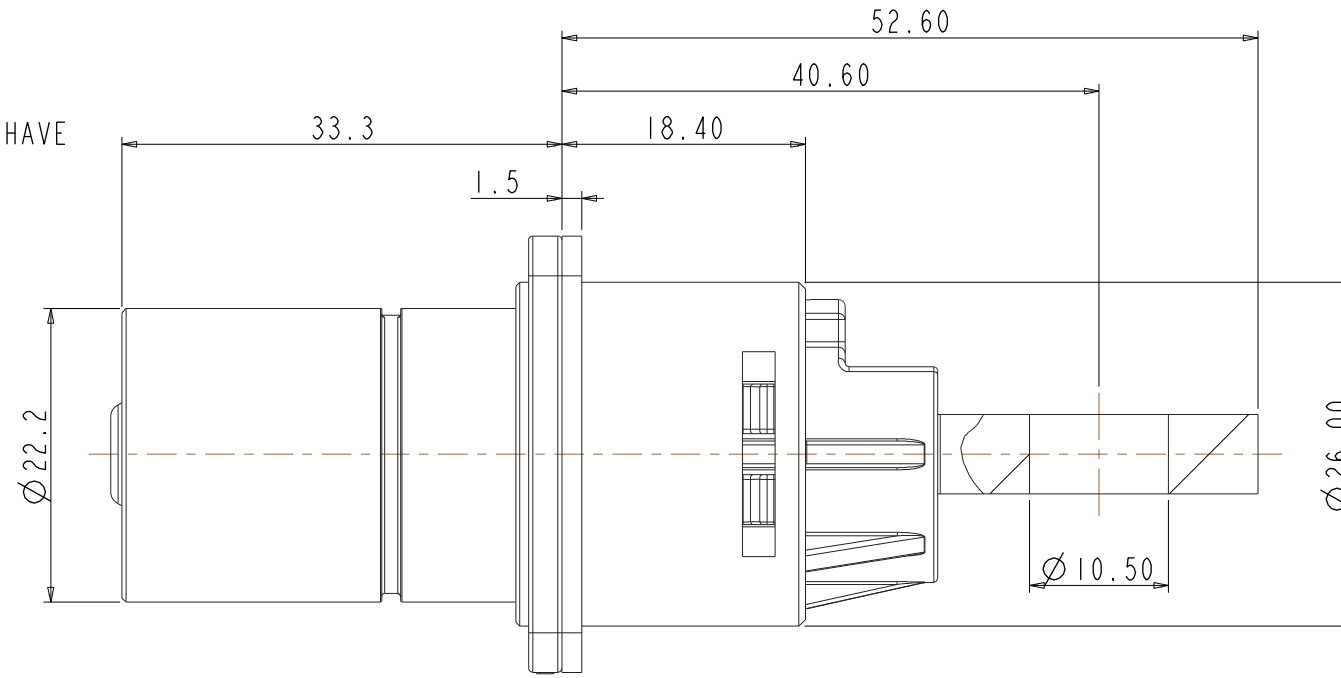
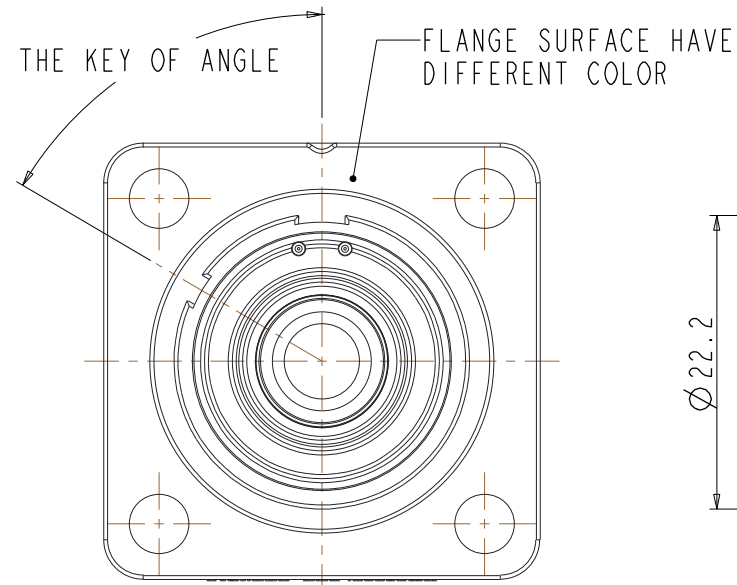


REV	ECN	DESCRIPTION	DATE	MODIFIED
B		UPDATE PANEL CUT-OUT	2016.07.13	ROY.QU

CUSTOMER DRAWING



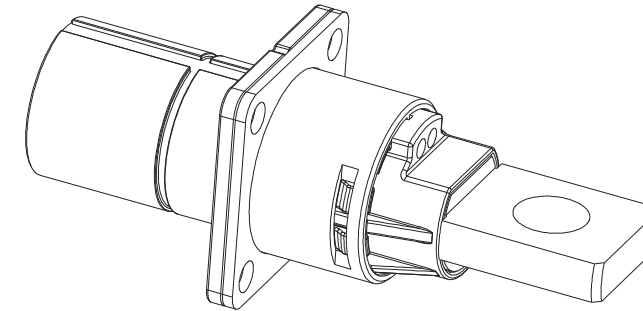
PANEL CUT-OUT REFERENCE

ORDER INFORMATION

HVBI0-05R10-XMHX-XX

COLOR  
KEY ANGLE

HVIL CODE:  
A:WITH HVIL  
B:WITHOUT HVIL



TECHNICAL DATA	
CURRENT RATE(70MM <sup>2</sup> CABLE)	UP TO 250A
CURRENT RATE(50MM <sup>2</sup> CABLE)	UP TO 180A
UL RATING VOLTAGE (OVERVOLTAGE CATEGORY II POLLUTION DEGREE 2)	1000V DC
OPERATING TEMPERATURE	-40~125°C
DIELECTRIC WITHSTANDING VOLTAGE	3000V AC
INSULATION RESISTANCE	2000MΩ MIN. 25°C, NO CABLE
DURABILITY	200 CYCLES
SHIELDING	YES
WATERPROF(MATED CONDITION)	IP 67
PROTECTION LEVEL	IP2XB
AMBIENT TEMPERATURE	-40~70°C

WIHT HVIL			WIHTOUT HVIL		
P/N	DESCRIPTION		P/N	DESCRIPTION	
	KEY OF ANGLE	COLOR		KEY OF ANGLE	COLOR
HVBI0-05R10-AMHA-RD	30°	RED	HVBI0-05R10-BMHA-RD	30°	RED
HVBI0-05R10-AMHB-BK	60°	BLACK	HVBI0-05R10-BMHB-BK	60°	BLACK
HVBI0-05R10-AMHC-YL	90°	YELLOW	HVBI0-05R10-BMHC-YL	90°	YELLOW
HVBI0-05R10-AMHD-GR	120°	GREEN	HVBI0-05R10-BMHD-GR	120°	GREEN
HVBI0-05R10-AMHE-BL	150°	BLUE	HVBI0-05R10-BMHE-BL	150°	BLUE
HVBI0-05R10-AMHF-PU	180°	PURPLE	HVBI0-05R10-BMHF-PU	180°	PURPLE

**DIMENSIONS**  
ANSI Y14.5M  
UNITS: MM  
Pro/E FILE

**TOLERANCES**  
X ±0.3  
XX ±0.20  
ANGLES ±0.5°

**PROJECTION**

Amphenol Pcd Shenzhen

ENGR  
SEVN.TAO 2016.06.08

CHKD  
APPD

TITLE

**HVBI-R10 RECEPTACLE**

**ORIGINAL**  
NOT FOR  
CUSTOMER  
DISTRIBUTION

THIS DOCUMENT CONTAINS  
PROPRIETARY INFORMATION WHICH  
IS THE CONFIDENTIAL PROPERTY  
OF AMPHENOL PCD SHENZHEN

SIZE <b>A3</b>	DWG NO. HVBI0-05R10-XMHX-XX	REV <b>B</b>
CODE: 58982	SCALE: 2:1	SHEET 1 OF 1