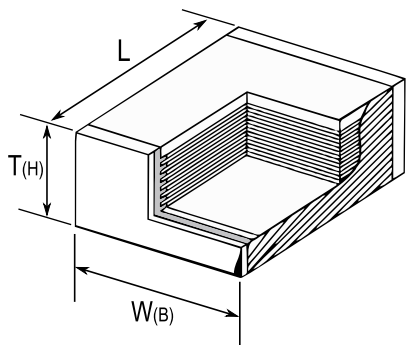


KEMET Part Number: LDEDE4150KA0N00
(DEDE4150KA0N00)

Capacitor, film, 1.5 uF, +/-10% Tol, General Purpose, 63 VDC@125C



Note: '()' correspond to the letters used in the product bulletin

Dimensions (mm)		
Symbol	Dimension	Tolerance
L	7.3	+/-0.4
W	6.1	+/-0.4
T	4.3	MAX

Packaging Specifications	
Package Kind:	T&R
Package Size:	Standard
Package Quantity:	1750

General Information	
Supplier:	KEMET
Dielectric:	Metallized PEN (Stacked)
Application:	General Purpose
Sub Application:	AEC-Q200
Style:	Surface Mount
Chip Size:	2824
RoHS:	Yes

Specifications	
Capacitance:	1.5 uF
Voltage:	63 VDC
Tolerance:	+/-10%
Voltage AC:	40 VAC
Rated Temperature:	125C
Temperature Range:	-55/+125C
Dissipation Factor @ 1 kHz:	0.8%
Insulation Resistance:	266.7 MOhm
Maximum dVdT:	100 v/us