

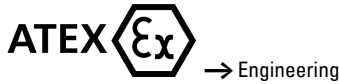


Joystick 2-pos.,vert, spring-ret.,titan



Powering Business Worldwide™

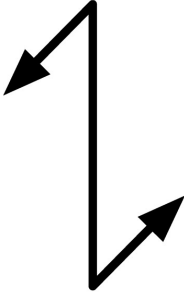
Part no. M22-WJ2V
Article no. 289196



Front ring, gold-plated, →#274150

Use adapter M22-A4 →#279437

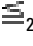
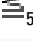
Program

Range			RMQ-Titan (drilling dimensions 22.5 mm)
Basic function			Joystick
Single unit/Complete unit			Single unit
Description			Two positions with one operating point per operating direction
Function			momentary
Function			
Front ring			Front ring: titanium
Connection to SmartWire-DT			yes
Notes			
Bezel gold-plated →#274150			
Use adapter M22-A4 →#216374			

Approbationen

UL approval	Yes
CSA approval	Yes
Product Standards	IEC/EN 60947-5; UL 508; CSA-C22.2 No. 14-05; CSA-C22.2 No. 94-91; CE marking
UL File No.	E29184
UL CCN	NKCR
CSA File No.	012528
CSA Class No.	3211-03
NA Certification	UL listed, CSA certified
Degree of Protection	UL/CSA Type 3R, 4X, 12, 13

General

Standards			IEC/EN 60947 VDE 0660
Lifespan, mechanical	Operations	x 10 ⁶	> 0.1
Operating frequency	Operations/ h		 2000
Actuating force		n	 5
Protection type			IP66
Climatic proofing			Damp heat, constant to IEC 60068-2-78 Damp heat, cyclic to IEC 60068-2-30
Ambient temperature		°C	
Open		°C	- 25 - + 70
Mounting position			As required
Mechanical shock resistance		g	30 Shock duration 11 ms Sinusoidal according to IEC 60068-2-27

Technical data according to ETIM 4.0

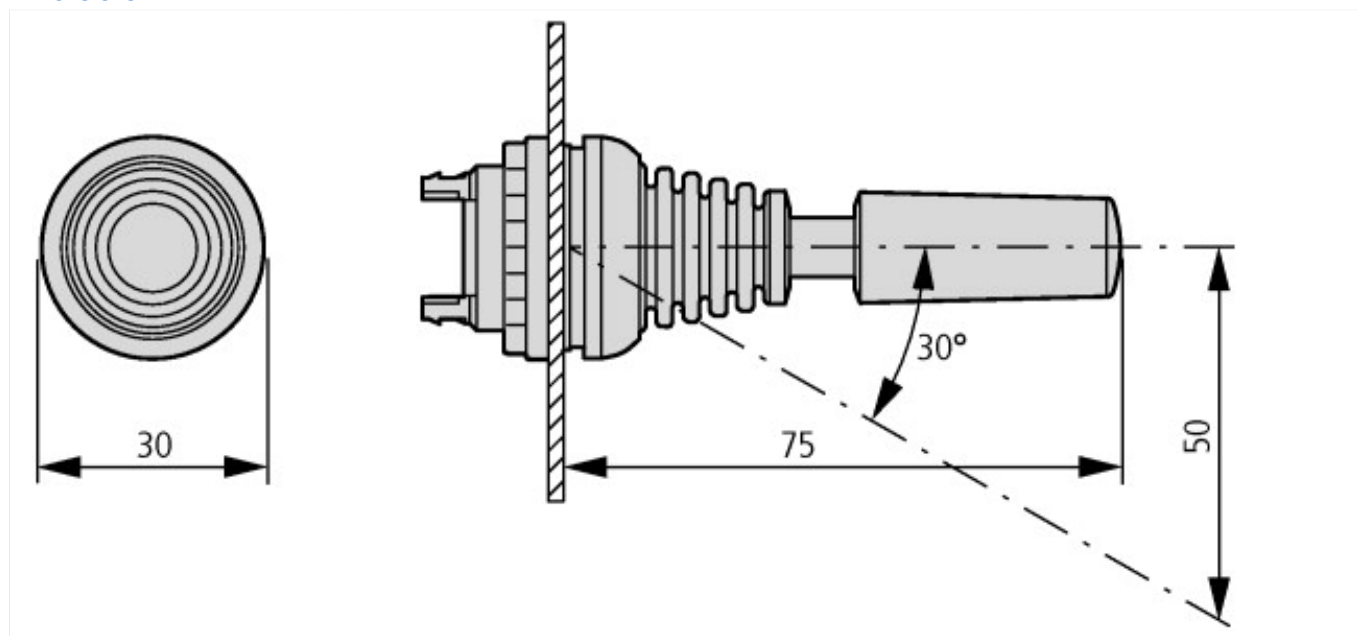
Coder			No
Color bezel			Chrome
Analog output signal configurable			No
Number of actuation directions			2
Number of N/Cs per actuation direction			0
Number of switch levels			1
Joy stick length		mm	75
Number of changeover contacts per direction			0
Rated operation current I _e at AC-21		A	0
Protection type (IP)			IP66
With bezel			YES
Central mounting, hole diameter		mm	22.5
Material front ring			Insulated material
Number of N/Os per actuation direction			0
Interlock in 0-position			No
With retraction in 0-position			YES

CAD-Data

Product standards CAD data:

<http://eaton-moeller.partcommunity.com>

Dimensions



Additional product information (links)

IL04716002Z (AWA1160-1745) RMQ-Titan System	ftp://ftp.moeller.net/DOCUMENTATION/AWA_INSTRUCTIONS/IL04716002Z2011_03.pdf
Engineering	
Key to part numbers	ftp://ftp.moeller.net/DOCUMENTATION/PDF/GB/TYPENSCHLUESSEL_RMQ-TITAN_de.pdf
Engineering	ftp://ftp.moeller.net/DOCUMENTATION/PDF/GB/PRO_RMQTitan_D_de.pdf
Ordering example for custom complete units	ftp://ftp.moeller.net/DOCUMENTATION/PDF/GB/Bestellbeispiel_F0315_COMBINATION_de.pdf
Order form for custom complete units	ftp://ftp.moeller.net/DOCUMENTATION/PDF/GB/FORM_F0315_Combination_de.pdf