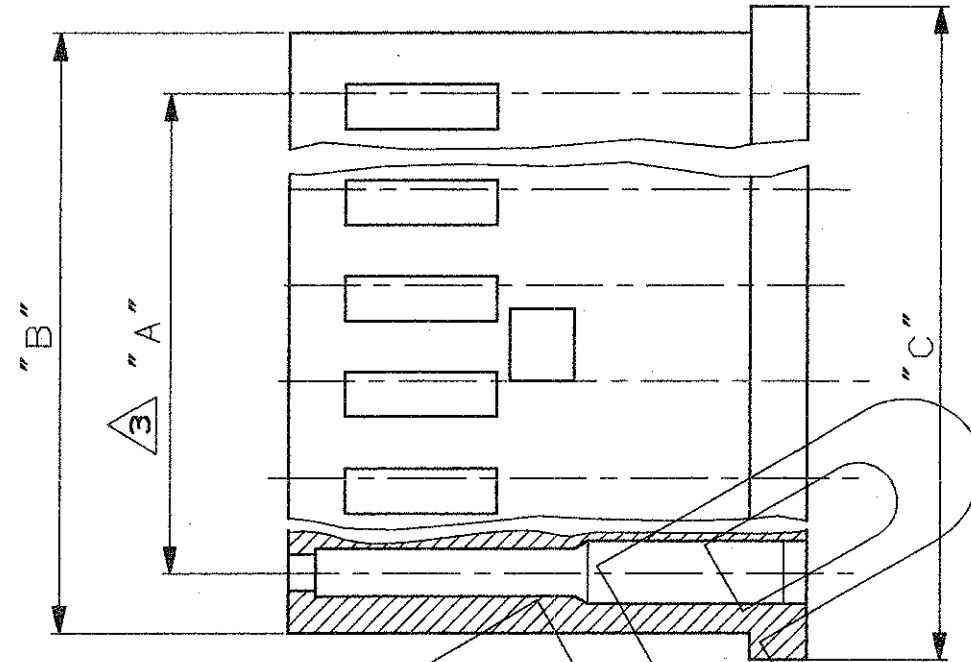
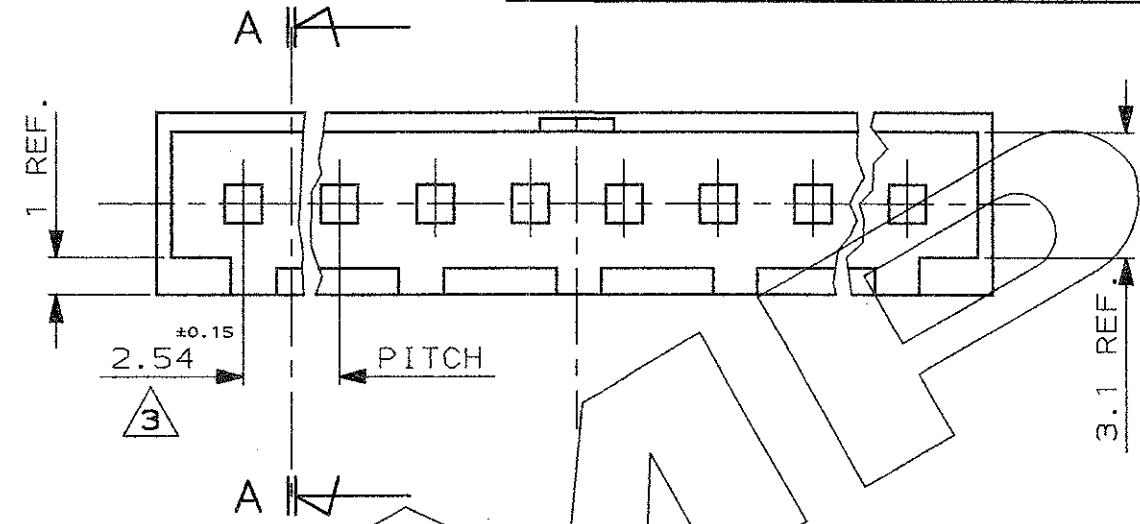
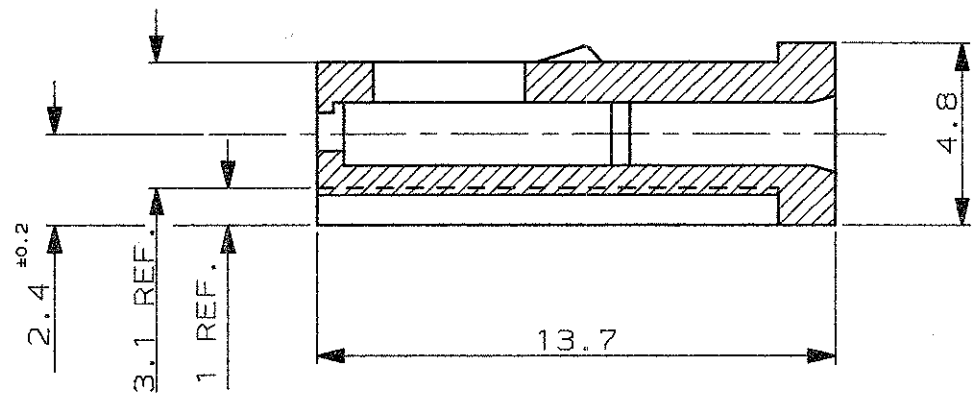


SEZ. A-A
(SECT. A-A)

SCALA NON IMPEGNATIVA
(DO NOT SCALE)
DIMENSIONI IN mm
(DIMENSIONS IN)

METRIC

PROIEZIONE EUROPEA
(EUROPEAN PROJECTION)



| | | | | | | |
|----------|----|-------------|----------|----------|----------|---------------------|
| OBSOLETE | 4 | 1-280359-0 | 7.62 | 10.6 | 12.2 | 2 |
| OBSOLETE | 2 | 1-280358-0 | 2.54 | 5.6 | 7.1 | |
| | 22 | 280364-0 | 53.34 | 56.4 | 57.9 | 1 |
| | 15 | 280363-0 | 35.56 | 38.6 | 40.1 | |
| | 12 | 280514-0 | 27.94 | 31 | 32.5 | |
| | 10 | 280362-0 | 22.86 | 25.9 | 27.4 | |
| | 9 | 280512-0 | 20.32 | 23.3 | 24.9 | |
| | 8 | 280361-0 | 17.78 | 20.8 | 22.3 | |
| | 6 | 280360-0 | 12.70 | 15.7 | 17.3 | |
| | 4 | 280359-0 | 7.62 | 10.6 | 12.2 | |
| | 2 | 280358-0 | 2.54 | 5.6 | 7.1 | |
| N° POS. | | PART NUMBER | DIM. "A" | DIM. "B" | DIM. "C" | MATERIAL (SEE NOTE) |

1 NORYL, UL94 V1, COLORE NERO

1 NORYL, UL94 V1, BLACK COLOUR

2 NORYL SE-1 COLORE ROSSO

2 NORYL SE-1 RED COLOUR

3 TOLLERANZA NON CUMULATIVA

3 NON CUMULATIVE TOLERANCE

CUSTOMER DRAWING
FOR REFERENCE ONLY

DISEGNO PER CLIENTE
SOLO PER RIFERIMENTO

THIS DRAWING IS UNPUBLISHED | RELEASE FOR PUBLICATION 19

© COPYRIGHT 19 BY AMP INCORPORATED, HARRISBURG, PA. ALL INTERNATIONAL RIGHT RESERVED. AMP PRODUCTS MAY BE COVERED BY U.S. AND FOREIGN PATENT AND/OR PATENT PENDING

TOLLERANZE; SE NON DIVERSAMENTE SPECIFICATO
(TOLERANCES, UNLESS OTHERWISE SPECIFIED)

DIAM. ISOLANTE (INS. DIA. RANGE) | RANGO FILO (WIRE RANGE) | SCALA (SCALE)

± 0.3

ANGOLI (ANGLES) ± 2°

AMP AMP ITALIA S.p.A.
Corso F.lli Cervi, 15
COLLEGNO (TORINO)

| | | | | | |
|------|---|-----------------------|-------------|-------------------------------------|--|
| Y | REVISED NOTE 1 (ET00-0188-97) | C.P. | 1992 | DIS. 11 APRIL '95 (DR.) | DESCRIZIONE (DESCRIPTION) AMPMODU II REC. HSG SINGLE ROW, CRIMP ON-SNAP IN |
| G | REVISED AND REDRAWN BY CAD ET00-0092-95 | C.P. | 25 May '95 | C.P.I.A. | |
| F | REVISED NOTE 1 | C.M. | 10-7-91 | CONT. 11 APRIL '95 (CHK) R. CANTORE | LOC. SIZE NUMERO (DWS NO) REV. FOGLIO (SHEET) |
| E | REVISED AND REDRAWN | E.B. | 86 | | |
| REV. | REVISIONI (REVISION RECORD) | DIS. DATA (DR) (DATE) | APP. (APP.) | | I A3 C - 280358 Y 1 1 |

DISTRIBUZIONE (PRINT DIST.)