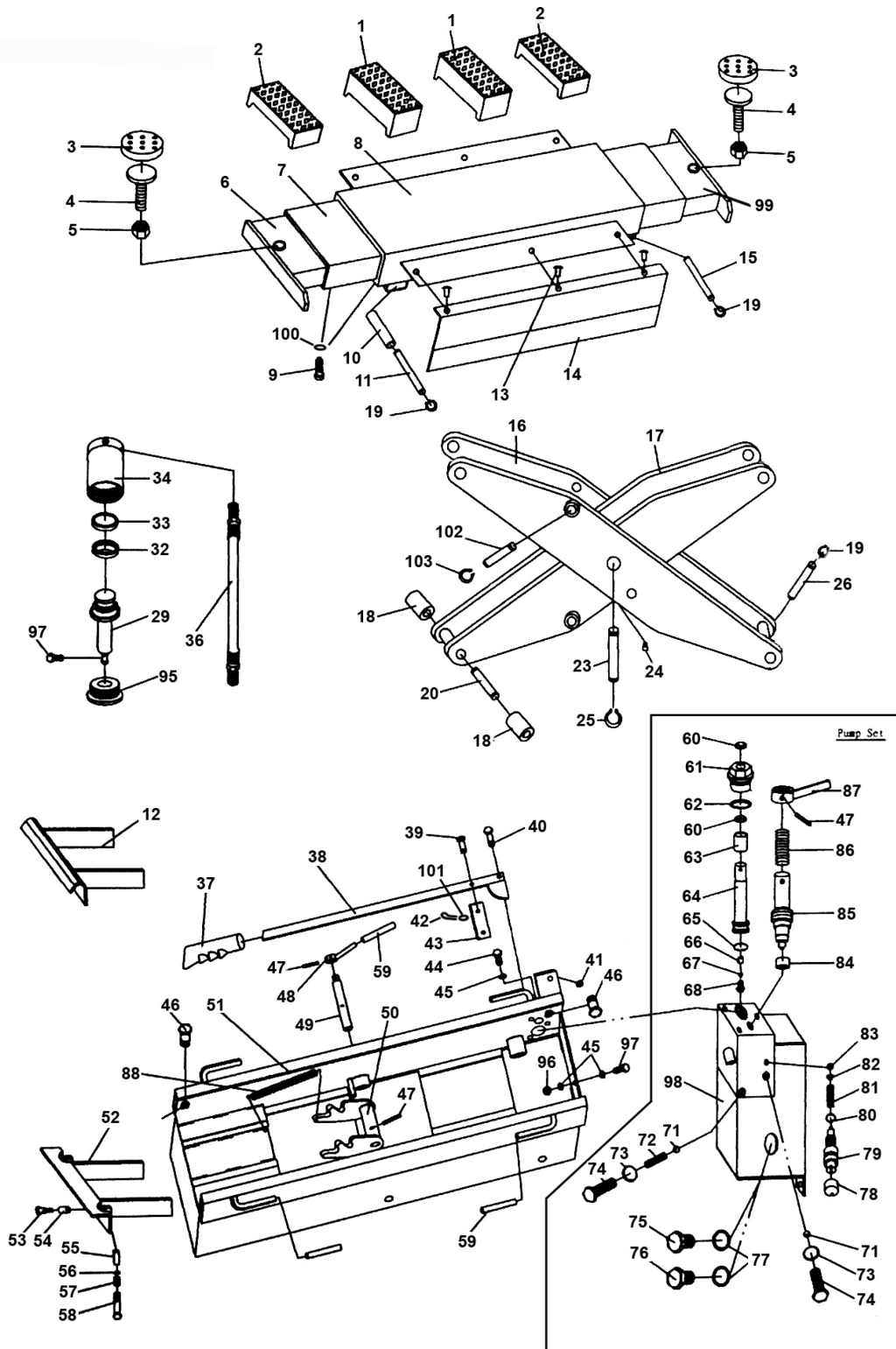


Parts Information:
**Jacking Beam 3tonne with Arm Extenders
 & Flat Roller Supports**
Model No: SJBEX300



NOTE: It is our policy to continually improve products and as such we reserve the right to alter data, specifications and component parts without prior notice.

IMPORTANT: No liability is accepted for incorrect use of product.

WARRANTY: Guarantee is 12 months from purchase date, proof of which will be required for any claim.

Item	Part No.	Description
1	SJBEX200.2-01	ALUMINIUM SADDLE 1 (SINGLE)(LARGE)
2	SJBEX200.2-02	ALUMINIUM SADDLE 2 (SINGLE)(SMALL)
3	SJBEX200.2-03	RUBBER SADDLE COVER
4	SJBEX200.2-04	THREADED SADDLE
5	SN24.SB	STEEL NUT M24 BLACK (SINGLE)
6	SJBEX200.2-06	ADJUSTABLE BEAM (RIGHT SIDE)
7	SJBEX200.2-07	ADJUSTABLE BEAM INSERT
8	SJBEX300.08	LIFTING BEAM
9	SJBEX200.2-09	SCREW
10	SJBEX300.10	SHAFT BUSHING (LENGTH 105mm,O/D 38mm)
11	SJBEX300.11	SHAFT (LENGTH 155mm,O/D 19mm)
12	SJBEX300.12	HOOK END MOUNTING BRACKET
13	MSP68.S	MACHINE SCREW PAN HEAD PHILLIPS M6x8mm
14	SJBEX200.2-14	PROTECTIVE PLATE
15	SJBEX300.15	SHAFT (LENGTH 135mm, O/D 19mm)
16	SJBEX300.16	SCISSORS ARM, OUTER
17	SJBEX300.17	SCISSORS ARM, INNER
18	SJBEX200.2-18	SHAFT BUSHING (LENGTH 55mm,O/D 38.5mm,l)
19	SJBEX200.2-19	RETAINING RING
20	SJBEX200.2-20	SHAFT (LENGTH 210mm,O/D 19mm)
23	SJBEX300.23	SHAFT (LENGTH 160mm,O/D 25mm)
24	SJBEX200.2-24	OIL INLET (SO)
25	SJBEX300.25	RETAINING RING
26	SJBEX200.2-26	SHAFT (LENGTH 235mm,O/D 19mm)
29	SJBEX300.29	PISTON
32	SJBEX300.32	RETAINING RING
33	SJBEX300.33	U-RING (70*80*6)
34	SJBEX300.34	CYLINDER
35	SJBEX300.36	OIL PIPE (365mm LONG)
37	SJBEX200.2-37	HANDLE GRIP
38	SJBEX200.38A	HANDLE
39	SJBEX300.39A	SHAFT PIN
40	HHB845.S	HEX HEAD BOLT M8x45mm SINGLE
41	SN8.S	STEEL NUT M8 ZINC DIN934 (SINGLE)
42	SJBEX200.2-42	SPLIT PIN
43	SJBEX200.2-43	BLOCK
44	SS812.S	HEX HEAD SET SCREW M8x12mm SINGLE
45	FWM8.S	FLAT WASHER M8 SINGLE
46	SS1225.S	HEX HEAD SET SCREW M12x25mm SINGLE
47	SJBEX300.47	SPRING PIN
48	SJBEX200.2-48	HANDLE KNOB
49	SJBEX200.2-49	SHAFT
50	SJBEX300.50	SAFETY LOCK
51	SJBEX300.51	CHASSIS
52	SJBEX200.2-52	FLAT-END MOUNTING

Item	Part No.	Description
53	SJBEX200.2-53	SCREW
54	SJBEX200.2-54	BUSHING
55	SJBEX200.2-55	BLOCK
56	SJBEX200.2-56	INT TOOTH WASHER
57	SJBEX200.2-57	SPRING
58	HHB865.S	HEX HEAD BOLT M8x65mm SINGLE
59	SJBEX200.2-59	HANDLE GRIP
60	SJBEX200.2-60	U-RING (12*18*6)
61	SJBEX200.2-61	PUMP HOUSING
62	SJBEX200.2-62	SEAL WASHER
63	SJBEX200.2-63	COPPER BUSHING
64	SJBEX300.64A	PISTON COMPLETE
65	SJBEX200.2-65	O-RING
66	SJBEX200.2-66	LINER
67	SB-5.6	STEEL BALL 5.6mm
68	SJBEX200.2-68	SCREW
71	SB-6.4	STEEL BALL 6.4mm
72	SJBEX200.2-72	SPRING
73	SJBEX200.2-73	SEAL WASHER
74	SS1025.SB	HEX HEAD SET SCREW M10x25mm SINGLE BLACK
75	SJBEX200.2-75	AIR VENT VALVE
76	SJBEX200.2-76	SCREW
77	SJBEX200.2-77	O-RING
78	SJBEX200.2-78	COVER
79	SJBEX200.2-79	ADJUSTING SCREW
80	SJBEX200.2-80	O-RING
81	SJBEX300.81	SPRING
82	SJBEX200.2-82	SPRING GUIDE
83	SB-5.6	STEEL BALL 5.6mm
84	SJBEX200.2-84	SEAL WASHER
85	SJBEX200.2-85	RELEASE ROD
86	SJBEX200.2-86	SPRING
87	SJBEX300.87A	RELEASE KNOB
88	SJBEX200.2-88	SPRING
95	SJBEX300.95	CYLINDER CAP
96	SN8.S	STEEL NUT M8 ZINC DIN934 (SINGLE)
97	SJBEX200.2-97	HEX HEAD SET SCREW M8X25
98	SJBEX200.2-98	PUMP BLOCK
99	SJBEX300.99	ADJUSTABLE BEAM
100	SWM8.SB	SPRING WASHER M8 BLACK(SINGLE)
101	RW619.S	REPAIR WASHER M6x19 (SINGLE)
102	SJBEX300.102	SHAFT
103	SJBEX300.103	RETAINING RING
104	SJBEX300.104	PUMP ASSEMBLY
--	SJBEX300.105	COMPLETE RAM (NOT SHOWN)

NOTE: It is our policy to continually improve products and as such we reserve the right to alter data, specifications and component parts without prior notice.

IMPORTANT: No liability is accepted for incorrect use of product.

WARRANTY: Guarantee is 12 months from purchase date, proof of which will be required for any claim.

Sealey Group, Kempson Way, Suffolk Business Park, Bury St Edmunds, Suffolk. IP32 7AR



01284 757500



01284 703534



sales@sealey.co.uk



www.sealey.co.uk