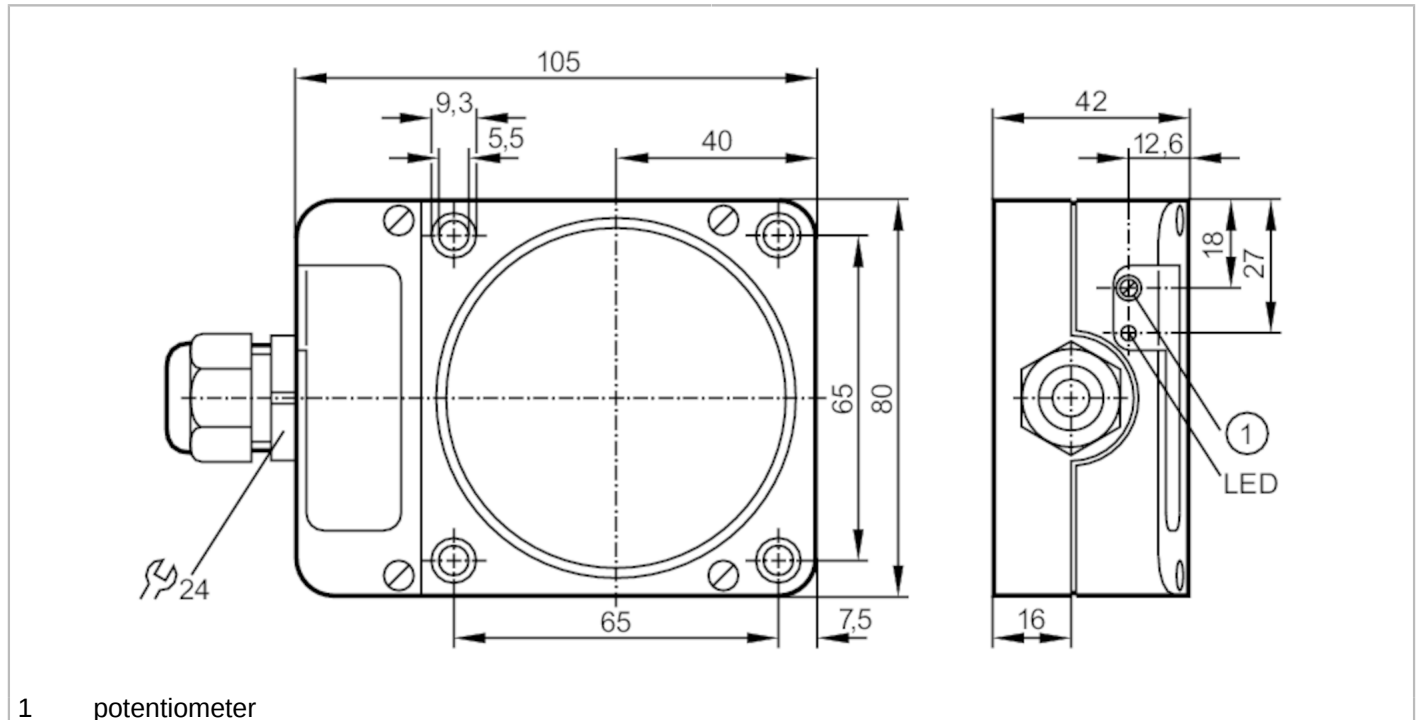


# KD501A



## Capacitive sensor

KDE3060-FPKG/NI/3D



### Product characteristics

Electrical design		PNP
Output function		normally open / normally closed; (selectable)
Sensing range	[mm]	60
Housing		rectangular
Dimensions	[mm]	105 x 80 x 42

### Electrical data

Operating voltage	[V]	10...36 DC
Current consumption	[mA]	< 15
Protection class		III
Reverse polarity protection		yes

### Outputs


Electrical design		PNP
Output function		normally open / normally closed; (selectable)
Max. voltage drop switching output DC	[V]	2.5
Permanent current rating of switching output DC	[mA]	200
Switching frequency DC	[Hz]	10
Short-circuit proof		yes
Overload protection		yes

# KD501A



## Capacitive sensor

KDE3060-FPKG/NI/3D

Detection zone		
Sensing range	[mm]	60
Sensing range adjustable		yes
Factory setting sensing range	[mm]	60
Real sensing range Sr	[mm]	60 ± 10 %
Accuracy / deviations		
Correction factor		glass: 0.4 / water: 1 / ceramics: 0.2 / PVC: 0.2
Hysteresis	[% of Sr]	1...15
Switch point drift	[% of Sr]	-15...15
Operating conditions		
Ambient temperature	[°C]	-20...60
Protection		IP 65
Increased immunity		yes
Tests / approvals		
ATEX marking		 II 3D Ex tc IIIC T90°C Dc X IP65
EMC		EN 60947-5-2
MTTF	[years]	537
Mechanical data		
Weight	[g]	279
Housing		rectangular
Mounting		non-flush mountable
Dimensions	[mm]	105 x 80 x 42
Materials		PPE modified; PA
Tightening torque	[Nm]	housing screws: 0,9 Nm; screws: 4 Nm
Displays / operating elements		
Display	switching status	1 x LED, yellow
Remarks		
Pack quantity		1 pcs.

# KD501A



## Capacitive sensor

KDE3060-FPKG/NI/3D

### Electrical connection

terminals: 0.34...2.5 mm<sup>2</sup>; Cable sheath: Ø 5...9 mm; Cable gland: M20 X 1.5

### Connection

