

M12 MALE 90° / MSUD VALVE PLUG FORM B 10 MM

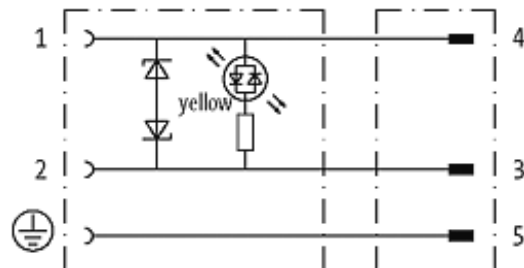
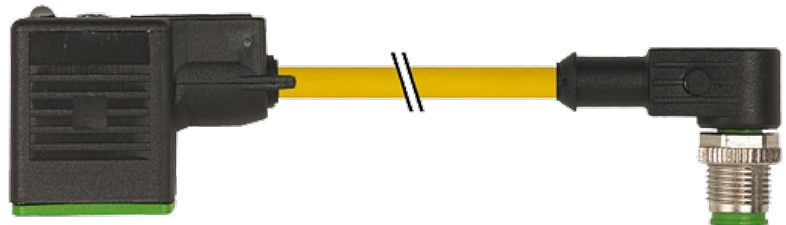
PUR 3X0.75 YELLOW, ROBOT, drag ch 2m

Form B (10 mm) – M12, male 90°
LED and suppression
3-pole

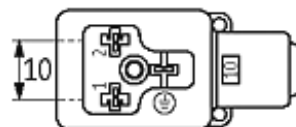
Further cable lengths on request. Plastic housings with good resistance against chemicals and oils. The resistance to aggressive media should be individually tested for your application. Further details on request.

[Link to Product](#)

Illustration



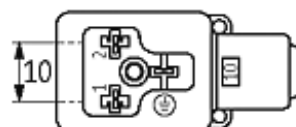
Female



Male

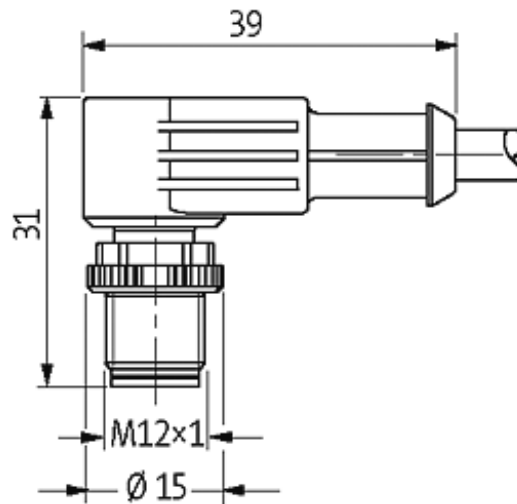


Female



Male





Product may differ from Image

Approvals



Form

41021

Technical Data

| | |
|-------------------------------|--|
| Operating voltage | 24 V AC ± 20 % / DC ± 25 % |
| Operating current per contact | max. 4 A |
| Switch off peak | max. 55 V |
| Switch off delay time | max. 20 ms |
| LED display | (yellow) |
| Current consumption | approx. 12 mA |
| Housing | Black plastic (gray on request) |
| Locking of ports | M3/M12 \times 1 mm (recommended torque 0.4/0.6 Nm) |
| Protection | IP67 inserted and tightened (EN 60529) |

Cables

| | |
|-----------------------------|----------------------------------|
| Cable number | 056 |
| No./diameter of wires | 3 \times 0.75 mm ² |
| Wire isolation | PP (bk, num, gnye) |
| C-track properties | 10 Mio. |
| Torsion | 1 Mio. \pm 360°/m |
| Jacket Color | yellow |
| Shore hardness outer jacket | 58 \pm 3D |
| Material (jacket) | PUR (UL/CSA), welding spark res. |
| Outer diameter | approx. 5.2 mm |
| Bend radius (fixed) | 5 \times outer \varnothing |

| | |
|----------------------------|--------------|
| Bend radius (moving) | 10 × outer Ø |
| Temperature range (fixed) | -40...+90 °C |
| Temperature range (mobile) | -25...+90 °C |

General data

| | |
|-------------------|--|
| Temperature range | -25...+85 °C, depending on cable quality |
|-------------------|--|

Commercial data

| | |
|------------------------|----------|
| country of origin | DE |
| customs tariff number | 85444290 |
| minimum order quantity | 1 |