



Model number

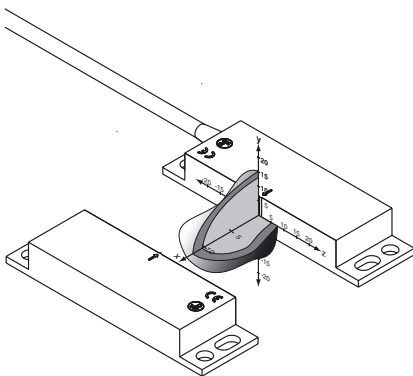
VAA-2E1A-IER1-S-1M-V1

Reed safety switch for non-contact AS-Interface safety switches

Features

- Compact plastic housing
- Encapsulated electronics
- Especially suited to small doors and coverings
- Multiple-flush magnet system
- Cable with M12 plug

Operating distance

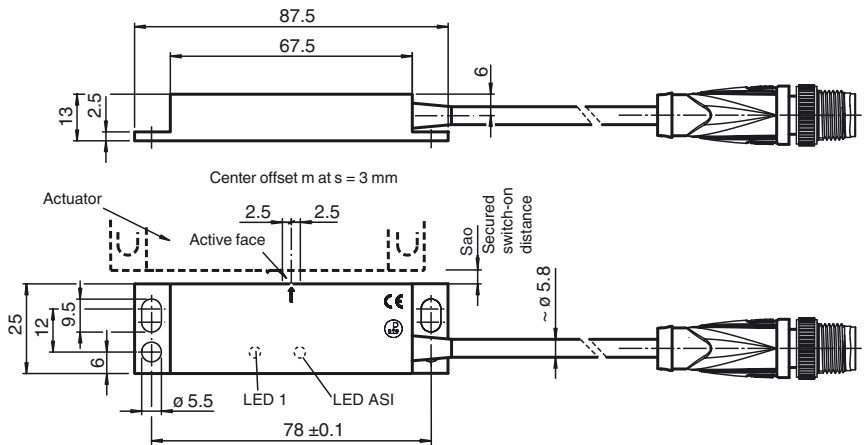


Accessories

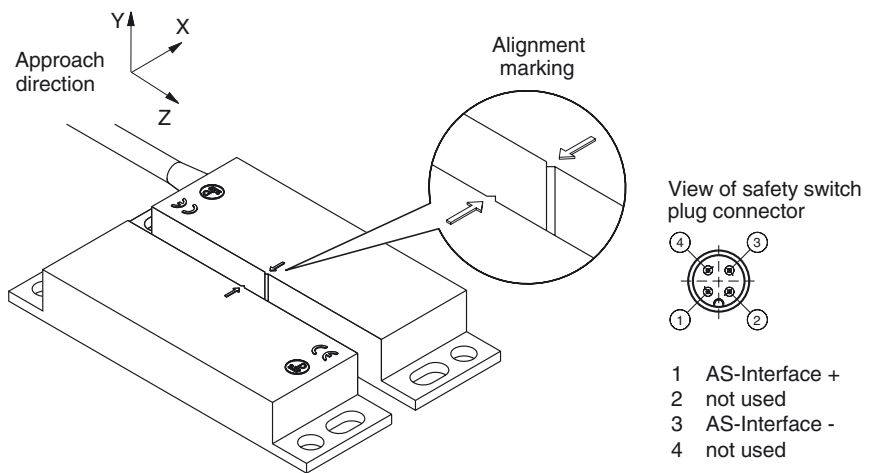
VAZ-T1-FK-V1

Splitter box AS-Interface to 1x M12 round connector

Dimensions



Indicating / Operating means



Technical data

General specifications

Detection type	magnetic
assured start-up distance	s_{a0} 9 mm
assured deactivation distance	s_{ar} \leq 70 mm
Center offset	m \pm 2.5 mm at distance $s = 3$ mm
Slave type	Safety-Slave
AS-Interface specification	V2.1
Required master specification	\geq V2.0
Response delay	$<$ 5 ms
UL File Number	E155795

Functional safety related parameters

Safety Integrity Level (SIL)	SIL 3
Performance level (PL)	PL e
Mission Time (T_M)	20 a
PFH _d	4.29 E-8

Indicators/operating means

LED 1	programmable
LED AS-i	green: normal operation red: no data exchange red/yellow flashing: no data exchange Red/green flashing: Device error in the slave red flashing: Device error in the slave

Electrical specifications

Rated operating voltage	U_e	26.5 ... 31.6 V from AS-Interface
Rated operating current	I_e	\leq 30 mA
Power supply		via AS-Interface network

Output

Number/Type	LED red
Switching voltage	24 V
Switching current	max. 0.5 A

Release date: 2011-09-08 08:55 Date of issue: 2014-01-13 210518_eng.xml

Supply from AS-Interface

Programming instructions

Profile	S-7.B
IO code	7
ID code	B
ID1 code	F
ID2 code	E

Data bits (function via AS-Interface)	input	output
D0	dyn. safety code 1	-
D1	dyn. safety code 1	LED 1
D2	dyn. safety code 2	-
D3	dyn. safety code 2	-

Parameter bits (programmable via AS-i)

P0	IN1	-
P1	IN2	-
P2	IN3	-
P3	IN4	-

Ambient conditions

Ambient temperature	-20 ... 60 °C (-4 ... 140 °F)
Shock and impact resistance	30 g/11 ms

Mechanical specifications

Protection degree	IP67
Connection	with fixed cable and M12 connector, 4-pin
Material	
Housing	PPS
Cable	PUR
Installation	any position
Cable length	1 m
Life span	100 x 10 ⁶ switching cycles

Compliance with standards and directives

Directive conformity	
Machinery Directive 2006/42/EC	EN ISO 12100-1, -2:2003 EN 1088:1995+A2:2008
EMC Directive 2004/108/EC	IEC 60947-5-3:1999
Standard conformity	
AS-Interface	EN 50295:1999
Functional safety	ISO 13849-1:2008 (up to category 3/PL e) EN ISO 12100-1, -2:2003 EN 1088:1995+A2:2008
Protection degree	EN 60529:2000

Matching system components

VAZ-IER1-ACTUATOR1-S

Actuator for non-contact AS-Interface
Reed safety switch