



TOGGLE SWITCH, 16MM, ROUND, PLASTIC, BLACK, 3 SWITCH POSITIONS I-O-II, LATCHING, ACTUATING ANGLE 2X62 DEGREES

Figure similar

Design of the product		Single device round
<b>Enclosure:</b>		
Number of control points		1
<b>Actuator:</b>		
Design of the operating mechanism		selector switch
Manner of function of the actuating element		Latching
Product expansion optional Light source		No
Color		
• of the actuating element		black
Material of the actuating element		plastic
Outer diameter of the actuating element	mm	19
Type of unlocking device		rotate-to-unlatch mechanism
Number of switching positions		3
Actuating angle		
• clockwise	°	62
• anticlockwise	°	62
<b>Front ring:</b>		
Product component front ring		Yes
Design of the front ring		Standard
Material of the front ring		plastic
Color of the front ring		black
<b>Holder:</b>		
Material of the holder		Plastic
<b>General technical data:</b>		

<b>Product function</b>		
• EMERGENCY OFF function		No
• EMERGENCY STOP function		No
<b>Vibration resistance</b>		
• acc. to IEC 60068-2-6		20 ... 200 Hz: 5g
<b>Operating frequency maximum</b>	1/h	1 000
<b>Mechanical service life (switching cycles)</b>		
• typical		300 000
<b>Protection class IP</b>		IP65
<b>Equipment marking</b>		
• acc. to DIN 40719 extended according to IEC 204-2 acc. to IEC 750		S
• acc. to DIN EN 61346-2		S
• acc. to DIN EN 81346-2		S




#### Ambient conditions:

<b>Ambient temperature</b>		
• during operation	°C	-25 ... +70
• during storage	°C	-40 ... +80

#### Installation/ mounting/ dimensions:

<b>Mounting type</b>		front mounting
<b>Shape of the installation opening</b>		round
<b>Mounting diameter</b>	mm	16

#### Certificates/ approvals:

General Product Approval	Declaration of Conformity	Test Certificates	other	
 UL		 EG-Konf.	<a href="#">Special Test Certificate</a>	<a href="#">Confirmation</a> <a href="#">other</a>

#### other

[Environmental Confirmations](#)

#### Further information

**Information- and Downloadcenter (Catalogs, Brochures,...)**

<http://www.siemens.com/industrial-controls/catalogs>

**Industry Mall (Online ordering system)**

<http://www.siemens.com/industrymall>

**Cax online generator**

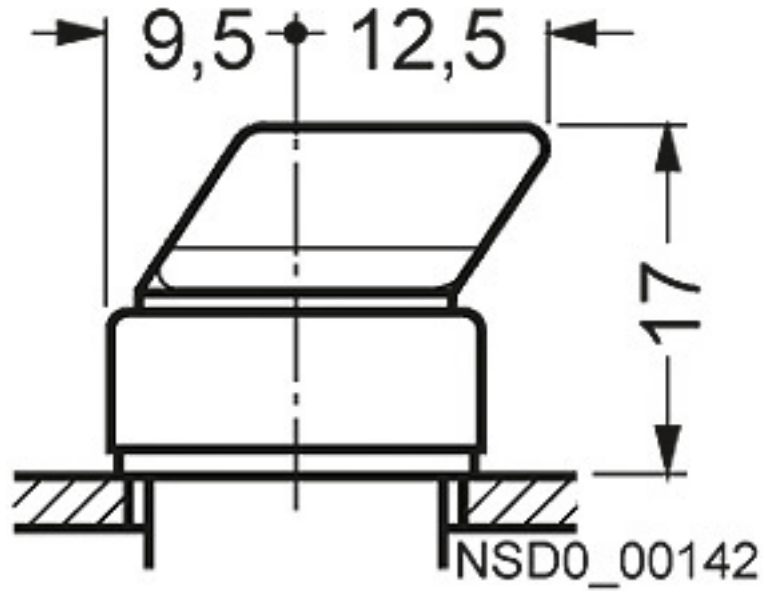
<http://support.automation.siemens.com/WW/CAXorder/default.aspx?lang=en&mlfb=3SB20002DB01>

**Service&Support (Manuals, Certificates, Characteristics, FAQs,...)**

<http://support.automation.siemens.com/WW/view/en/3SB20002DB01/all>

**Image database (product images, 2D dimension drawings, 3D models, device circuit diagrams, EPLAN macros, ...)**

[http://www.automation.siemens.com/bilddb/cax\\_de.aspx?mlfb=3SB20002DB01&lang=en](http://www.automation.siemens.com/bilddb/cax_de.aspx?mlfb=3SB20002DB01&lang=en)



last modified:

09.03.2015