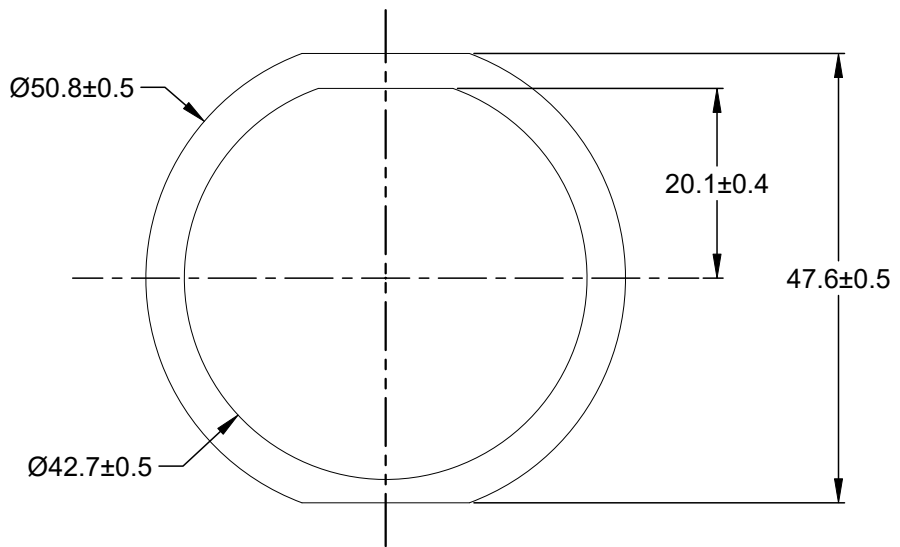
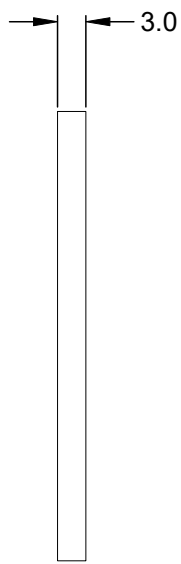


REVISIONS					
REV	ECO	DESCRIPTION	DATE	BY	APPR
A1		RELEASE NEW PRODUCT	01SEP16	SULLEN	TOMMY
A2		ADDED "AHDM" TO NOTE 4	14AUG23	JAH	DH



NOTES: UNLESS OTHERWISE SPECIFIED

1. MATERIAL: CLD CELL SPONGE
2. COLORS: BLACK
3. RoHS COMPLIANT
4. USE WITH AHDP & AHDM SERIES SIZE 24 RECEPTACLE
5. ALL DIMENSIONS ARE FOR REFERENCE USE ONLY.

AHDP-16-04477					
PART NUMBER		DESCRIPTION			ITEM
QUANTITY	MATERIALS LIST				
<small>UNLESS OTHERWISE SPECIFIED</small> 1) All dimensions are in metric(mm). 2) Tolerances are as follows: 1 PL DEC ±0.30 2 PL DEC ±0.15 3 PL DEC ±0.08 Fractions ±1/64 Angles ±1° 3) Note reference =		SIGNATURES DRAWN: SULLEN.ZHANG CHECKED: ORION.LI ENGINEER: APPROVAL: TOMMY.XIE		DATE 01SEP16 01SEP16 01SEP16	
MATERIAL SPECIFICATIONS:		CUSTOMER:		<h1>Amphenol</h1> Sine Systems - www.amphenol-sine.com 44724 Morley Drive Clinton Township, MI 48036	
PROCESS SPECIFICATIONS:		THIS DRAWING IS SUPPLIED FOR INFORMATION ONLY. DESIGN FEATURES, SPECIFICATIONS AND PERFORMANCE DATA SHOWN HEREON ARE THE PROPERTY OF THE AMPHENOL CORPORATION. NO RIGHTS OF REPRODUCTION ARE IMPLIED. ALL DIMENSIONS ARE SUBJECT TO NORMAL MANUFACTURING VARIATIONS.			
NEXT ASSY:		SIZE	TYPE	DWG NO:	REVISION
		A	C-	AHDP-16-04477	A2
		SCALE: NONE		SHEET 1 OF 1	