

IndustrialNet™ M12 X-Code Field Terminable Plug



specifications

Industrial M12 X-Code field terminable plug shall be applicable for use in manufacturing as well as other industrial environments. The M12 X-Code plug shall meet or exceed the requirements of ANSI/TIA-568-C.2 Category 6A and ISO 11801 Class E_A and with ODVA Ethernet/IP[^], PROFINET and CC-Link. The plug shall be constructed of a zinc die cast housing with 360° shielding. To meet more demanding industrial applications, the plug shall incorporate an ingress protection rating of IP65/IP67 and offer an extended temperature range. The plug shall be easily field attachable without any special tools and shall be capable of termination to a 4-pair stranded or solid twisted pair copper cable - up to ten re-terminations with the same gauge cable.

technical information

Category 6A/Class E_A channel and component performance:	Exceeds channel and component requirements of ANSI/TIA-568-C.2 Category 6A and ISO11801 Class E _A standards at swept frequencies 1 to 500 MHz
Electrical/mechanical performance:	Shall meet ODVA Ethernet/IP [^] , PROFINET and CC-Link performance requirements
IEC compliance:	Plug meets IEC 61076-2-109, IEC 60532-4, and IEC 60529 specifications
Environmental protection:	Industrial connector protects and seals connections against dust and water immersion to IP65/IP67 per ANSI/IEC 60529-2004; vibration, temperature and chemical resistant; shielded version further enhances electromagnetic performance
UL compliance:	Compliant to UL 1863
RoHS compliancy status:	Compliant
PoE compliance:	Meets IEEE 802.3af and IEEE 802.3at for PoE applications
Temperature rating:	-25°C to 85°C (-13°F to 185°F) operating and storage
Wiring Scheme:	8-position
Conductor termination range:	Stranded AWG 26/7-22/7; Solid AWG 26/1-22/1
Conductor Insulation termination range:	1.1 – 2.1mm (0.043 – 0.079 inch)
Cable jacket diameter range:	5.5 – 9mm (0.217 – 0.354 inch)
Packaging:	1 unit per polyethylene bag, 25 units per carton

key features and benefits

Zinc die cast housing with 360° shielding:	Ensures secure data transmission in high noise (EMI/RFI) environments for optimal performance
Field attachable:	Can be terminated in seconds without any special tools and is re-terminable up to 10 times with the same gauge cable
IP/NEMA/UL rated connection:	Withstands light wash down and temporary submerged conditions without loss of performance for reliability in harsh factory environments
Extended temperature range:	Provides durable connection in extreme conditions for increased system reliability

applications

IndustrialNet™ M12 X-Code field terminable plug provides an ideal solution to support Industrial Ethernet from the Local Area Network (LAN) based support offices to the processing devices on the plant floor. A key component to the overall industrial Ethernet (up to 10 Gigabit) application, the plug is the interface that protects the integrity of the Ethernet data transfer from the switch or PLC out to the devices or up to the horizontal plant backbone.

Constructed of a robust die cast housing and fully shielded, the plug provides reliable operation in high noise (EMI/RFI) environments. The plug meets the ingress protection rating of IP65/IP67 for use where light wash downs are common/required in the food and beverage industry. The plug offers an extended temperature range -25°C to 85°C (-13°F to 185°F) for use in more demanding applications such as manufacturing facilities where temperature extremes are the norm.

www.panduit.com/ia

PANDUIT®

SPECIFICATION SHEET

IndustrialNet™ M12 X-Code Field Terminable Plug

Field terminable plug: ISPS6A88MFA

IndustrialNet™ Category 6 S/FTP Copper Cable – Flame Retardant, Halogen-Free

4-pair, color Yellow: ISX6004AYL-LED
4-pair, color Red: ISX6004ARD-LED

IndustrialNet™ Category 5e SF/UTP, Copper Cable TPE Jacket

CM 4-pair color Teal: ISFCH5C04ATL-XG

IndustrialNet™ Category 6A/6/5e RJ45 Field Terminable Plug

Field terminable plug: ISPS688FA

IndustrialNet™ Category 5e Shielded 600 V-Rated Patch Cords

CM/CMX color Teal: ISTPHCH1MTL*

IndustrialNet™ M12 X-Code to RJ45 Panel Mount Adapter

Panel mount adapter: ICAM12XRJS

IndustrialNet™ DIN Rail Mount Patch Panel

8-port: CDPP8RG

Mini-Com® DIN Rail Mount Adapter

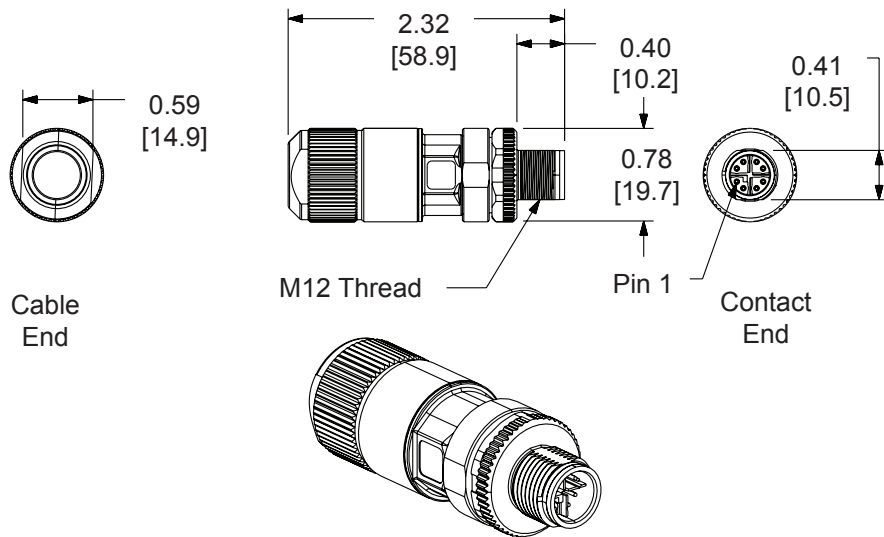
1-port: CADIN1IG**

*For other lengths, change the length designation (1M) of the part number to the desired length (0.3M, 0.6M, 2M, 3M, 5M, 10M, 15M or 20M). Contact Panduit Customer Service for other color options.

**For standard colors other than International Gray, replace IG in part number with BL (Black), EI (Electric Ivory), IW (Off White), or WH (White).

[^]EtherNet/IP is a trademark of ODVA.

IndustrialNet™ M12 X-Code Field Terminable Plug



Dimensions are in inches. [Dimensions in brackets are metric.]

WORLDWIDE SUBSIDIARIES AND SALES OFFICES

PANDUIT US/CANADA
Phone: 800.777.3300

PANDUIT EUROPE LTD.
London, UK
Phone: 44.20.8601.7200

PANDUIT SINGAPORE PTE. LTD.
Republic of Singapore
Phone: 65.6305.7575

PANDUIT JAPAN
Tokyo, Japan
Phone: 81.3.6863.6000

PANDUIT LATIN AMERICA
Guadalajara, Mexico
Phone: 52.33.3777.6000

PANDUIT AUSTRALIA PTY. LTD.
Victoria, Australia
Phone: 61.3.9794.9020

For a copy of Panduit product warranties, log on to www.panduit.com/warranty

For more information

Visit us at www.panduit.com/ia

iai@panduit.com

PANDUIT®

© 2018 Panduit Corp.
ALL RIGHTS RESERVED.
COSP402--SA-ENG
5/2018