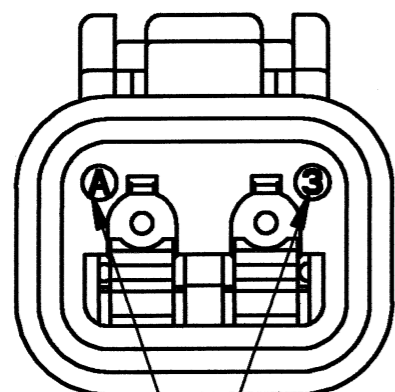


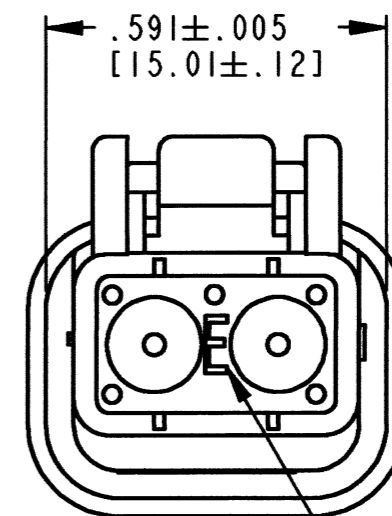
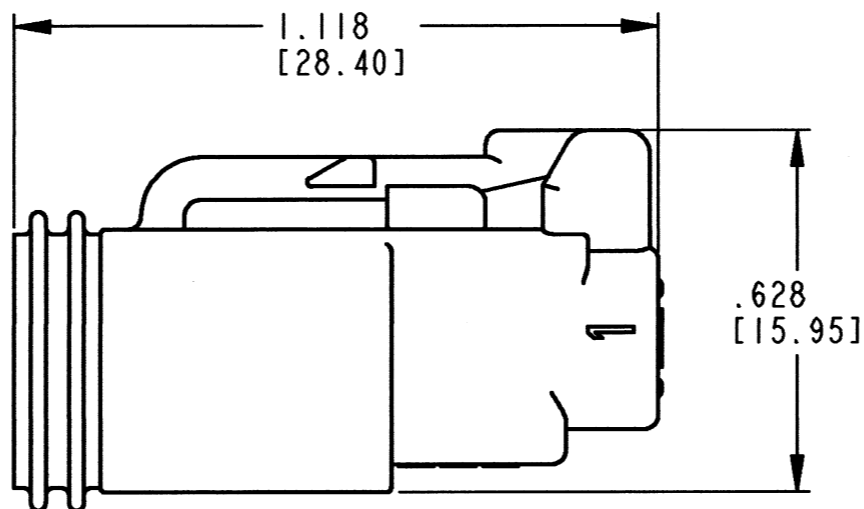
REV
A DT06-2S-C015

REVISIONS			
SYM	DESCRIPTION	DATE	APPROVED
NC	NEW RELEASE PER E.O. P15409	4/18/96	R.D.R.
A	REVISED PER E.O. P20704	12-6-10	ADR



DATE CODE:

MONTH IS REPRESENTED BY SEQUENTIAL ALPHA CHARACTERS. (EX: A = JANUARY)
YEAR IS REPRESENTED BY THE LAST NUMERICAL DIGIT. (EX: 0 = 2010)



E-SEAL SYMBOL ON GROMMET INDICATES REDUCED WIRE SEAL.

5. MATERIAL: HOUSING: PLASTIC; COLOR: GRAY
SEALS: RUBBER

4. THIS PLUG MATES WITH THE DT04-2P-**** RECEPTACLE(**** = ALL MODIFICATIONS).
CONSULT FACTORY FOR MODIFICATIONS.

3. FOR CONTACTS AND WIRE PERFORMANCE AND APPLICATION CHARACTERISTICS
SEE ENVELOPE DRAWING 0425-015-0000 AND 0425-017-0000.

2. ALL DIMENSIONS ARE ±.025 [0.63] UNLESS OTHERWISE SPECIFIED.

1. ALL DIMENSIONS ARE IN INCHES [MILLIMETERS].

NOTES:

CONTACT SIZE	MIN. INSUL O.D.	MAX. INSUL O.D.	WIRE RANGE [mm ²]
16	.053 [1.35]	.120 [3.05]	14-20 AWG [2.0-0.5]

SIGNATURE & DATE	
DR	V. TOMSA APR-17-96
CHK	<i>[Signature]</i> 12/6/2010
PE	<i>[Signature]</i> (12/10)
APPD	<i>[Signature]</i> 12-1-10
SCALE	NONE WT

PLUG 2 CONTS. WITH REDUCED WIRE SEALS DT SERIES

ENVELOPE

EP	MATL. CODE
3850 INDUSTRIAL AVE. HEMET, CA 92545	
B	DT06-2S-C015
DWG SIZE	CODE 11139 SHEET OF