



Removable terminal 2-pole, push-in terminals up to maximum 1 x 4 mm<sup>2</sup> or 2 x 1.5 mm<sup>2</sup>, (in shared wire-end ferrule), for SIRIUS devices in industrial standard mounting rail enclosure

product brand name	SIRIUS
product category	Removable terminals
product designation	Terminal for main circuit/2-pole
design of the product	Spring-loaded terminal (push-in)/1 x 4 mm <sup>2</sup>
<b>General technical data</b>	
protection class IP	IP20
Substance Prohibitance (Date)	03/01/2017
type of connectable conductor cross-sections	
<ul style="list-style-type: none"> <li>• solid</li> <li>• finely stranded with core end processing</li> <li>• finely stranded without core end processing</li> <li>• for AWG cables solid</li> <li>• for AWG cables stranded</li> </ul>	<ul style="list-style-type: none"> <li>0.5 ... 4 mm<sup>2</sup></li> <li>0.5 ... 2.5 mm<sup>2</sup></li> <li>0.5 ... 4 mm<sup>2</sup></li> <li>20 ... 12</li> <li>20 ... 12</li> </ul>
width	7.5 mm
<b>Further information</b>	

Siemens has decided to exit the Russian market (see here).

<https://press.siemens.com/global/en/pressrelease/siemens-wind-down-russian-business>

Siemens is working on the renewal of the current EAC certificates.

Please contact your local Siemens office on the status of validity of the EAC certification if you intend to import or offer to supply these products to an EAC relevant market (other than the sanctioned EAEU member states Russia or Belarus).

Information on the packaging

<https://support.industry.siemens.com/cs/ww/en/view/109813875>

Information- and Downloadcenter (Catalogs, Brochures,...)

<https://www.siemens.com/ic10>

Industry Mall (Online ordering system)

<https://mall.industry.siemens.com/mall/en/en/Catalog/product?mlfb=3ZY1122-2BA00>

Cax online generator

<http://support.automation.siemens.com/WWW/CAXorder/default.aspx?lang=en&mlfb=3ZY1122-2BA00>

Service&Support (Manuals, Certificates, Characteristics, FAQs,...)

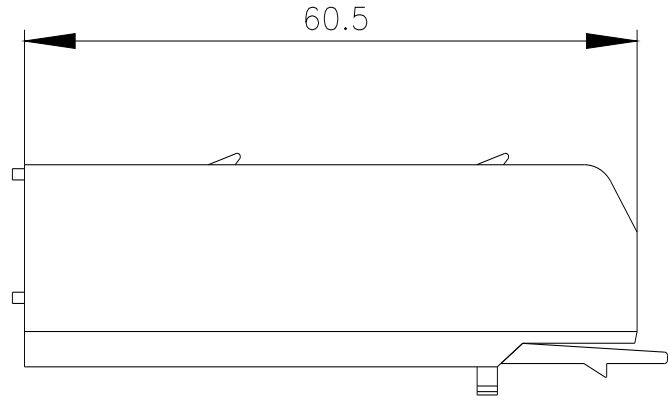
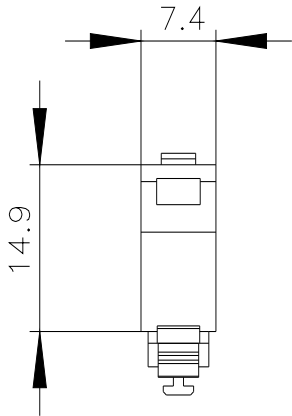
<https://support.industry.siemens.com/cs/ww/en/ps/3ZY1122-2BA00>

Image database (product images, 2D dimension drawings, 3D models, device circuit diagrams, EPLAN macros, ...)

[http://www.automation.siemens.com/bilddb/cax\\_de.aspx?mlfb=3ZY1122-2BA00&lang=en](http://www.automation.siemens.com/bilddb/cax_de.aspx?mlfb=3ZY1122-2BA00&lang=en)

Characteristic: Derating

<https://support.industry.siemens.com/cs/ww/en/ps/3ZY1122-2BA00/manual>



---

last modified:

1/28/2021 