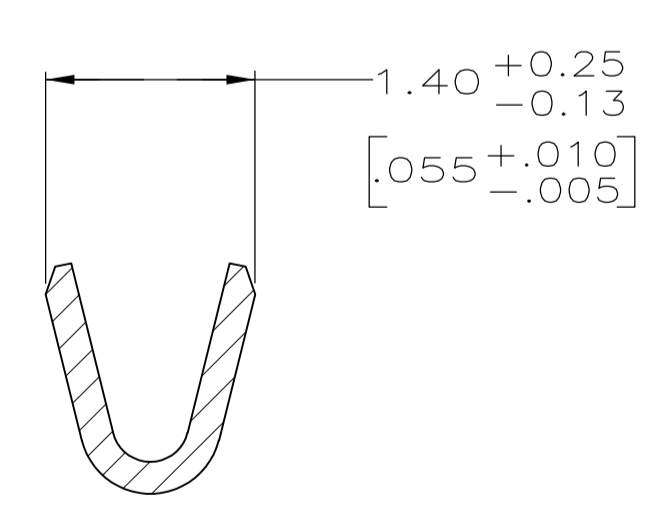


SECTION X-X  
 INSULATION BARREL  
 SCALE 20:1



SECTION Y-Y  
 WIRE BARREL  
 SCALE 20:1

- 1 FOR MINI-APPLICATOR AND STRIPPER CRIMPER.
- 2 FOR HAND TOOL USE ONLY.
- 3 FOR STANDARD APPLICATOR PART #566184 ONLY.
- 4. WIRE RANGE OF 24-28, INSULATION RANGE OF .030-.040.
- 5. GOLD PLATING MAY NOT APPEAR ON CARRIER STRIP.
- 6 GOLD PLATING PER MIL-G-45204. NICKEL PLATING PER QQ-N-290. TIN PLATING PER MIL-T-10727. COPPER PLATING PER MIL-C-14550.
- 7 PLATED, 1.27μm [.000050] MIN GOLD OVER 1.27μm [.000050] MIN NICKEL.
- 8 GOLD PLATED IN LOCALIZED GOLD PLATE AREA AS FOLLOWS:  
 0.76μm [.000030] MIN GOLD IN MATED AREA, GOLD FLASH ON REMAINDER OF CONTACT, ALL OVER 1.27μm [.000050] MIN NICKEL UNDERPLATE.  
 OR  
 GOLD FLASH OVER  
 PALLADIUM-NICKEL PLATE, 0.76μm [.000030] MIN TOTAL IN MATED AREA, GOLD FLASH ON REMAINDER OF CONTACT, ALL OVER 1.27μm [.000050] MIN NICKEL UNDERPLATE.
- 9 PLATED WITH GOLD FLASH OVER 0.76μm [.000030] MIN NICKEL.
- 10 PLATED WITH 2.54μm-5.08μm [.000100-.000200] TIN.
- 11 PLATED WITH 1.27μm [.000050] MIN GOLD IN LOCALIZED GOLD PLATE AREA, GOLD FLASH ON REMAINDER, OVER 1.27μm [.000050] MIN NICKEL.
- 12 GOLD PLATED IN LOCALIZED GOLD PLATED AREA, 0.76μm [.000030] GOLD IN MATED AREA, TIN PLATED WIRE BARRELS, OVER 1.27μm [.000050] NICKEL.
- 13 PLATED WITH GOLD FLASH IN LOCALIZED GOLD PLATE AREA, TIN PLATED WIRE BARRELS, OVER 0.76μm [.000030] NICKEL.
- 14 GOLD PLATED IN LOCALIZED GOLD PLATED AREA, 0.38μm [.000015] GOLD IN MATED AREA, GOLD FLASH ON REMAINDER, OVER 1.27μm [.000050] NICKEL.
- 15 AMP ITALY PART NUMBER ONLY.
- 16 GOLD PLATED IN LOCALIZED GOLD PLATED AREA, 0.03μm [.000001] GOLD IN MATED AREA, 0.76μm [.000030] MIN TIN OR TIN-LEAD ON WIRE BARRELS, ALL OVER 0.76μm [.000030] MIN NICKEL.

OBSELETE	STANDARD	1	3	STRIP	6-66507-3
OBSELETE	STANDARD	1	1	STRIP	6-66507-2
OBSELETE	STANDARD	1	2	LOOSE PIECE	5-66507-9
OBSELETE	STANDARD	1	2	LOOSE PIECE	5-66507-7
OBSELETE	STANDARD	1	1	STRIP	3-66507-1
OBSELETE	STANDARD	1	1	STRIP	3-66507-0
	STANDARD	1	1	STRIP	2-66507-8
	STANDARD	1	3	STRIP	2-66507-7
OBSELETE	STANDARD	1	1	STRIP	1-66507-4
	STANDARD	9	1	LOOSE PIECE	1-66507-0
	STANDARD	8	2	LOOSE PIECE	66507-9
SUPERSEDED BY 66507-9	STANDARD	7	2	LOOSE PIECE	66507-8
	STANDARD	9	1	STRIP	66507-4
	STANDARD	8	1	STRIP	66507-3
	STANDARD	7	1	STRIP	66507-2
PACKAGING TYPE		FINISH	USE	TYPE	PART NUMBER

THIS DRAWING IS A CONTROLLED DOCUMENT.

DIMENSIONS: mm [INCHES]

TOLERANCES UNLESS OTHERWISE SPECIFIED:

0 PLC	± -
1 PLC	± -
2 PLC	± 0.13 [.005]
3 PLC	± -
4 PLC	± -
ANGLES	± -

MATERIAL: BRASS

FINISH: 6

APPROVED: S. WELDON, 9-9-86  
 C. RICHARD, 9-9-86  
 V. KUMAR, 9-10-86

NAME: PIN CONTACT, SIZE 20 DF, 24-28 AWG, AMPLIMITE

APPLICATION SPEC: 114-10000

SIZE: A1

WEIGHT: 00779

CAGE CODE: 66507

DRAWING NO: 66507

RESTRICTED TO: -

CUSTOMER DRAWING

SCALE: 10:1

SHEET: 1 OF 1

REV: AS