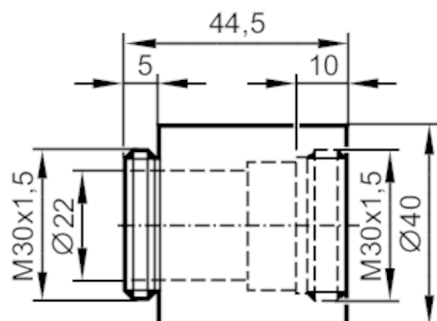


E35067



Insulating tube for infrared temperature sensors

THERM INSULATING



Application	
Design	for infrared temperature sensors TWxxxx, M30
Installation	thermal insulation; (TW)
Mechanical data	
Weight [g]	48
Materials	POM
Remarks	
Pack quantity	1 pcs.