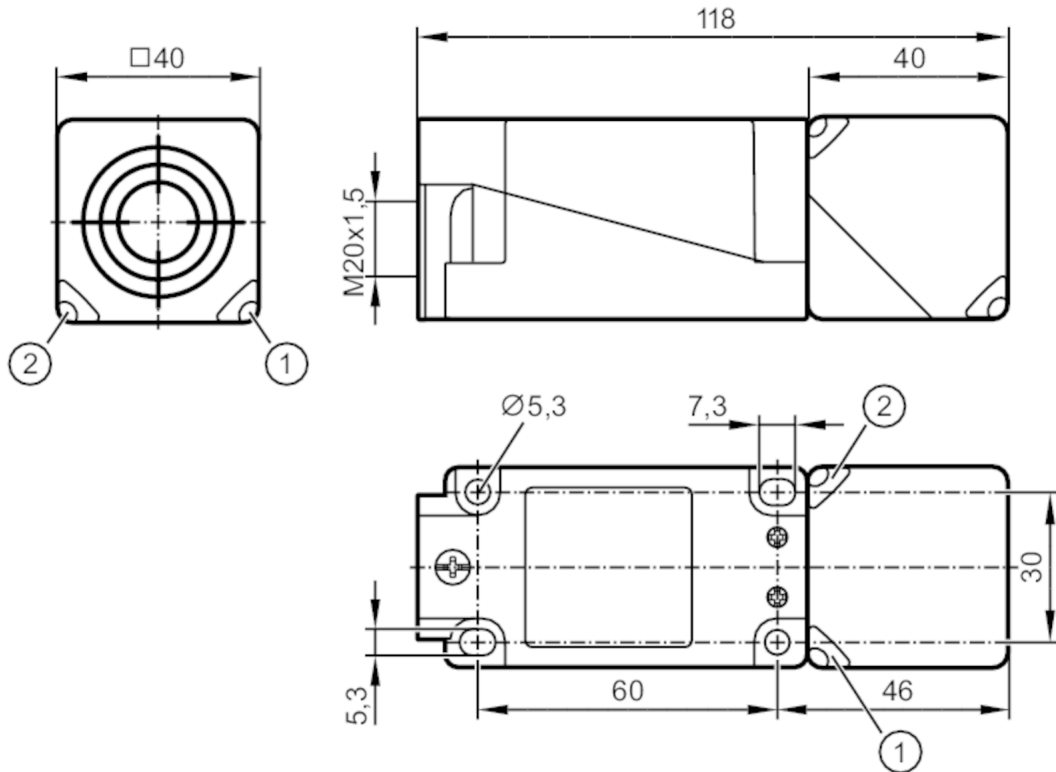


IV5061



Inductive sensor

IVE4040-CPKG



- 1 LED green
- 2 LED yellow



Product characteristics

Electrical design		PNP
Output function		complementary
Sensing range	[mm]	40
Housing		rectangular
Dimensions	[mm]	40 x 40 x 118

Electrical data

Operating voltage	[V]	10...30 DC
Current consumption	[mA]	20; (24 V)
Protection class		II
Reverse polarity protection		yes

IV5061



Inductive sensor

IVE4040-CPKG

Outputs		
Electrical design		PNP
Output function		complementary
Max. voltage drop switching output DC	[V]	2
Permanent current rating of switching output DC	[mA]	200
Switching frequency DC	[Hz]	180
Short-circuit protection		yes
Type of short-circuit protection		pulsed
Overload protection		yes
Detection zone		
Sensing range	[mm]	40
Real sensing range Sr	[mm]	40 ± 10 %
Operating distance	[mm]	0...32.4
Accuracy / deviations		
Correction factor		steel: 1 / stainless steel: 0.7 / brass: 0.4 / aluminium: 0.3 / copper: 0.3
Hysteresis	[% of Sr]	1...10
Switch point drift	[% of Sr]	-10...10
Operating conditions		
Ambient temperature	[°C]	-25...85
Protection		IP 68; IP 69K
Tests / approvals		
EMC	EN 61000-4-2 ESD	8 kV CD / 8 kV AD
	EN 61000-4-3 HF radiated	10 V/m
	EN 61000-4-4 Burst	2 kV
	EN 61000-4-6 HF conducted	15 V
	EN 55011	Class A
Vibration resistance	EN 60068-2-6 Fc	10 g (10...2000 Hz) / 10 cycles
Shock resistance	EN 60068-2-27 Ea	100 g 11 ms half-sine; 3 shocks each in every direction of the 3 coordinate axes
Continuous shock resistance	EN 60068-2-27	40 g 6 ms; 4000 shocks each in every direction of the 3 coordinate axes
Fast temperature change	EN 60068-2-14 Na	TA = -40 °C; TB = 85 °C; t1 = 30 min; t2 = < 10 s; 50 cycles
MTTF	[years]	652.2
UL approval	Ta	0...40 °C
	Enclosure type	Type 1
	File number UL	E174191
Mechanical data		
Weight	[g]	256.5
Housing		rectangular
Mounting		non-flush mountable
Dimensions	[mm]	40 x 40 x 118
Materials		PA 6.6; diecast zinc epoxy coated; sensing face: PA 6.6; LED window: PA; screws: stainless steel stainless steel (1.4305 / 303)

IV5061



Inductive sensor

IVE4040-CPKG

Displays / operating elements		
Display	switching status	1 x LED, yellow
	operation	1 x LED, green
Remarks		
Remarks	5 positions of the active zone possible Cable gland (E11270) to be ordered separately	
Pack quantity	1 pcs.	

Electrical connection

terminals: ...2.5 mm²; Cable gland: M20 X 1.5

Connection

