

## CUBE67 I/O COMPACT MODULE

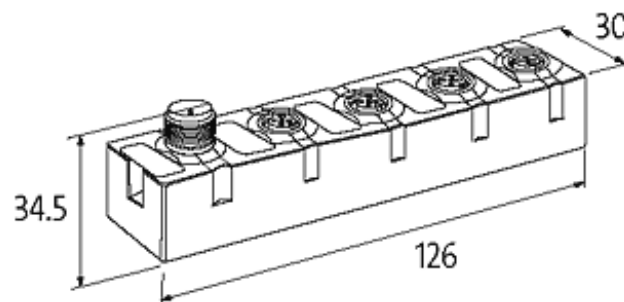
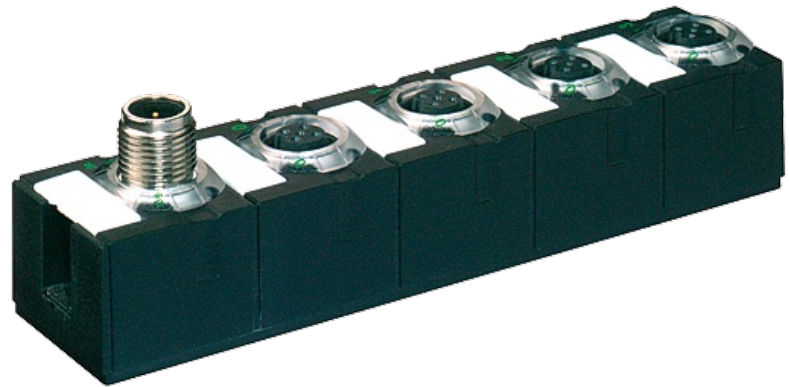
4 analog inputs (U)

Compact module  
AO4 - (C) 4xM12 (U)  
Voltage

Housing fully potted. For connection cables please see chapter "Connection Technology"

### [Link to Product](#)

#### Illustration



Product may differ from Image

#### Approvals



#### Internal communication

Current consumption	max. 50 mA
LED display	US: sensor supply and internal supply voltage (green: OK); UA: actuator supply (green: OK)

#### Connections

Fieldbus	via internal system connection
Sensor-system/actuator supply	via internal system connection (max. 2×4 A)
I/O ports	M12 (male) 5-pole, A-coded

#### General data

Protection	IP67
Mounting method	2-hole screw mounting
Temperature range	0...+55 °C (storage temperature -20...+75 °C)
Dimensions H × W × D	126×30×34.5 mm

#### Voltage output signals

Load	min. 500 Ohm
Input range	±10 V DC, 0...10 V DC

#### Output

Supply voltage	24 V DC (EN 61131-2), via system connection (max. 4 A)
Conversion time (analog)	approx. 1 ms (per channel)
Actuator supply UA	24 V DC (EN 61131-2), max. 1.6 A per M12 female, (short-circuit and overload protected)
Resolution (analog)	11 Bit + sign
Accuracy	max. ±0.5 % (of range limit)

#### Diagnostic

Communication status	via LED
Diagnostic via LED	per module and channel
Diagnostic via BUS	per module and channel
Monitoring - under voltage	yes
Monitoring - no voltage	yes
Short circuit and overload	yes
Actuator warning	per channel via LED and BUS
Wire break upper/lower limit overload	per channel via LED and BUS

#### Commercial data

country of origin	DE
customs tariff number	85176200
minimum order quantity	1