



CIRCUIT-BREAKER SIZE S00, FOR MOTOR PROTECTION, CLASS 10, A REL.0.18...0.25A, N REL. 3,3A SCREW CONNECTION, STANDARD BREAKING CAPACITY , W. TRANSV. AUX. SWITCH 1NO/1NC

Figure similar

product brand name		SIRIUS
Product designation		circuit breaker
Design of the product		for motor protection

### General technical data:

<b>Active power loss total typical</b>	W	5
<b>Shock resistance</b>		25g / 11 ms
<b>Surge voltage resistance Rated value</b>	V	6 000
<b>Mechanical service life (switching cycles)</b>		
• of the main contacts typical		100 000
<b>Protection class IP</b>		
• on the front		IP20
<b>Equipment marking</b>		
• acc. to DIN EN 61346-2		Q

### Main circuit:

<b>Number of poles for main current circuit</b>		3
<b>Adjustable response value current of the current-dependent overload release</b>	A	0.18 ... 0.25
<b>Operating voltage</b>		
• Rated value	V	690
• at AC-3 Rated value maximum	V	690
<b>Operating current</b>		
• at AC-3		
— at 400 V Rated value	A	0.25
<b>Operating power</b>		
• at AC-3		

— at 400 V Rated value	kW	0.06
<b>Operating frequency</b>		
• at AC-3 maximum	1/h	15

#### Auxiliary circuit:

<b>Number of CO contacts</b>		0
• for auxiliary contacts		
<b>Product expansion Auxiliary switch</b>		Yes
<b>Design of the auxiliary switch</b>		transverse
<b>Operating current of the auxiliary contacts at AC-15</b>		
• at 24 V	A	2
• at 230 V	A	0.5
<b>Operating current of the auxiliary contacts at DC-13</b>		
• at 24 V	A	1
• at 60 V	A	0.15

#### Protective and monitoring functions:

<b>Trip class</b>		CLASS 10
<b>Maximum short-circuit current breaking capacity (Icu)</b>		
• with AC at 240 V Rated value	kA	100
• with AC at 400 V Rated value	kA	100
• with AC at 500 V Rated value	kA	100
• with AC at 690 V Rated value	kA	100

#### Short-circuit:

<b>Design of the overcurrent release and short-circuit release</b>		thermomagnetic
--	--	----------------

#### Installation/ mounting/ dimensions:

<b>mounting position</b>		any
<b>Mounting type</b>		screw and snap-on mounting onto 35 mm standard mounting rail according to DIN EN 50022
<b>Height</b>	mm	90
<b>Width</b>	mm	45
<b>Depth</b>	mm	81
<b>Required spacing</b>		
• with side-by-side mounting		
— Backwards	mm	0
— at the side	mm	0

#### Connections/ Terminals:

<b>Type of electrical connection</b>		
• for main current circuit		screw-type terminals
• for auxiliary and control current circuit		screw-type terminals
<b>Arrangement of electrical connectors for main current circuit</b>		front side

<b>Product function</b>		No
<ul style="list-style-type: none"> <li>removable terminal for auxiliary and control circuit</li> </ul>		
<b>Type of connectable conductor cross-section</b>		
<ul style="list-style-type: none"> <li>for main contacts <ul style="list-style-type: none"> <li>— solid</li> <li>— stranded</li> <li>— finely stranded with core end processing</li> </ul> </li> <li>for AWG conductors for main contacts</li> <li>for auxiliary contacts <ul style="list-style-type: none"> <li>— solid</li> <li>— finely stranded with core end processing</li> </ul> </li> <li>for AWG conductors for auxiliary contacts</li> </ul>		2x (0.5 ... 1.5 mm <sup>2</sup> ), 2x (0.75 ... 2.5 mm <sup>2</sup> ) 2x (0.5 ... 1.5 mm <sup>2</sup> ), 2x (0.75 ... 2.5 mm <sup>2</sup> ) 2x (0.5 ... 1.5 mm <sup>2</sup> ), 2x (0.75 ... 2.5 mm <sup>2</sup> ) 2x (18 ... 14)  2x (0.5 ... 1.5 mm <sup>2</sup> ), 2x (0.75 ... 2.5 mm <sup>2</sup> ) 2x (0.5 ... 1.5 mm <sup>2</sup> ), 2x (0.75 ... 2.5 mm <sup>2</sup> ) 2x (18 ... 14)

**Safety related data:**

<b>Protection against electrical shock</b>		finger-safe
--	--	-------------

**Mechanical data:**

<b>Size of the circuit-breaker</b>		S00
------------------------------------	--	-----

**Ambient conditions:**

<b>Installation altitude at height above sea level maximum</b>	m	2 000
<b>Ambient temperature</b>		
<ul style="list-style-type: none"> <li>during operation</li> <li>during storage</li> <li>during transport</li> </ul>	°C °C °C	-20 ... +60 -50 ... +80 -50 ... +80

**Certificates/ approvals:**

General Product Approval	Test Certificates	Shipping Approval
--------------------------	----------------------	-------------------



[Special Test Certificate](#)



Shipping Approval
-------------------



other
-------

[Environmental Confirmations](#)

[other](#)

[Confirmation](#)

[Declaration of Conformity](#)



Further information
---------------------

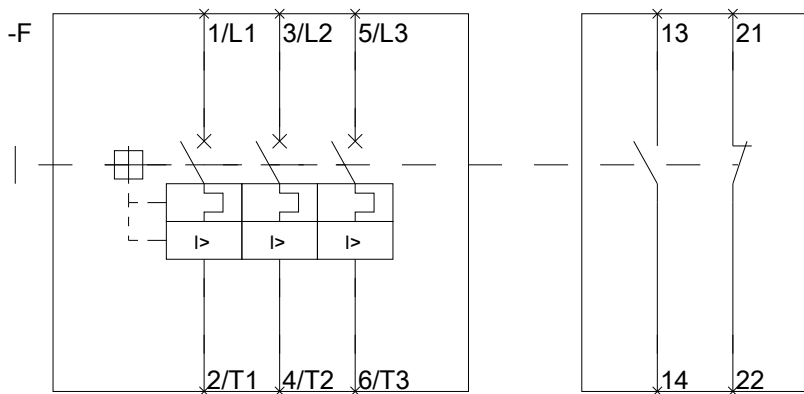
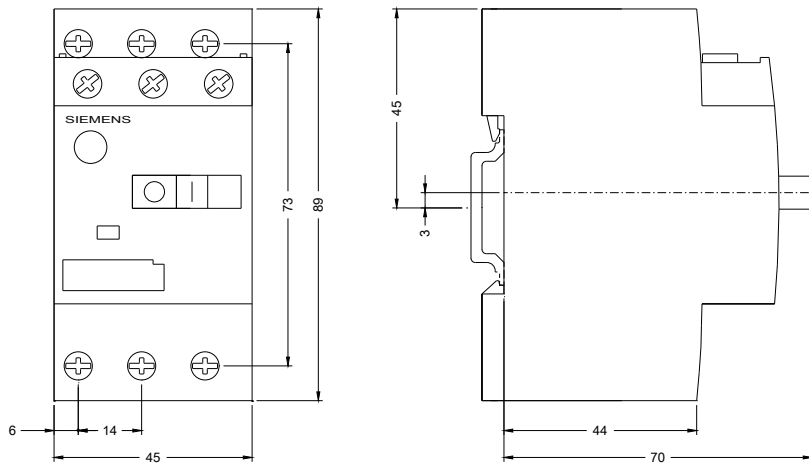
**Information- and Downloadcenter (Catalogs, Brochures,...)**  
<http://www.siemens.com/industrial-controls/catalogs>

**Industry Mall (Online ordering system)**  
<http://www.siemens.com/industrymall>

**Cax online generator**  
<http://support.automation.siemens.com/WW/CAXorder/default.aspx?lang=en&mlfb=3RV10110CA15>

**Service&Support (Manuals, Certificates, Characteristics, FAQs,...)**  
<http://support.automation.siemens.com/WW/view/en/3RV10110CA15/all>

**Image database (product images, 2D dimension drawings, 3D models, device circuit diagrams, EPLAN macros, ...)**  
[http://www.automation.siemens.com/bilddb/cax\\_de.aspx?mlfb=3RV10110CA15&lang=en](http://www.automation.siemens.com/bilddb/cax_de.aspx?mlfb=3RV10110CA15&lang=en)



last modified:

11.03.2015