

Glass Fiber-Optic Cable

Through-Beam Mode

233-237-103

Part Number

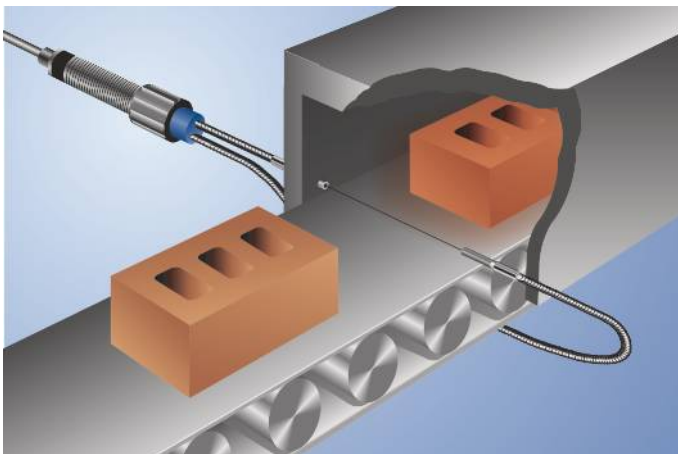


- A broad range of applications are possible due to the modular system design
- Stock types deliverable at short notice

Technical Data

Optical Data	
Fiber Bundle Diameter	2,3 mm
Range with Sensor Type U_87__	1300 mm
Range with Sensor Type U_88__	1300 mm
Range with Sensor Type U_66__	1100 mm
Range with Sensor Type U_55__	550 mm
Opening Angle	68 °
Fiber	Step Index
Fiber Diameter	50 μm
Mechanical Data	
Temperature Range	-25...180 °C
Bending Radius	50 mm
Fiber-Optic Length	0,75 m
Jacket Material	CuZn, nickel-plated
Material End Sleeve	Stainless Steel
End Sleeve No.	37
Light Emission	sidewise
Fiber-Optic Cable Adapter No.	01
Suitable Mounting Technology No.	190

Glass fiber optic cables are very flexible and can be used in applications with less space. Especially in applications with hot environment the metal casing fiber optic cables are the answer.



Fiber Optic Cable Combination

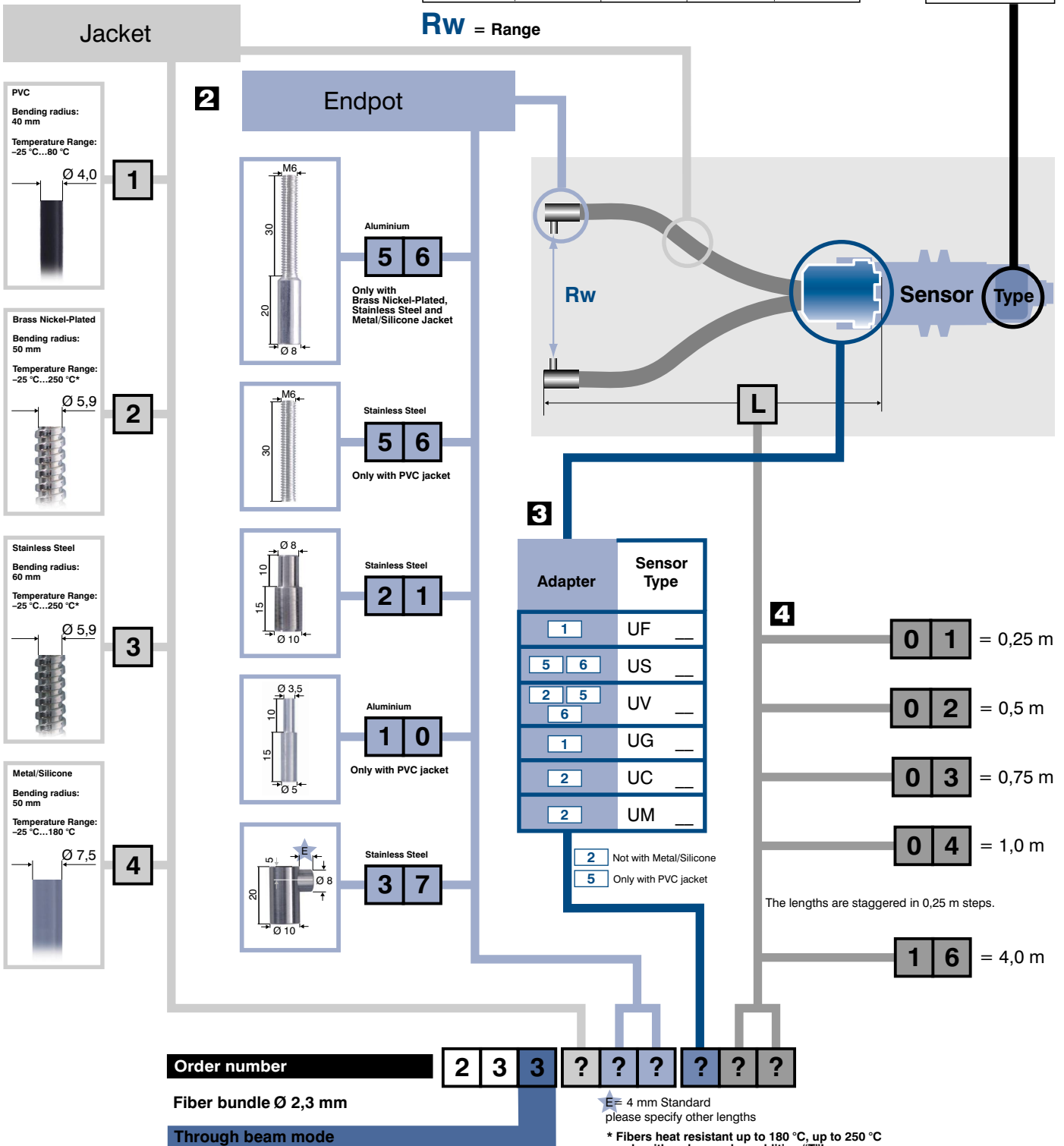
Choose your individual Glass Fiber Optic Cable

- 1** First you have to choose the required range.
If you cannot find a suitable range please change to another Fiber bundle diameter. The range depends on the length of the Fiber optic cable and the switching range of the chosen wenglor sensor.
- 2** Choose the jacket and the endpoint.
- 3** Choose the right adapter for your wenglor sensor.
- 4** Choose the length of the Fiber arm (in 0,25 m steps).

Fiber optic length					
5,0 m	4,0 m	3,0 m	2,0 m	1,0 m	
2100 mm	2340 mm	2580 mm	2820 mm	1800 mm	
1400 mm	1560 mm	1720 mm	1880 mm	1800 mm	
700 mm	780 mm	860 mm	940 mm	1000 mm	
350 mm	390 mm	430 mm	470 mm	500 mm	

1	Sensor Type
←	U_87
←	U_88
←	U_66
←	U_55

Rw = Range



Jacket

1	PVC Bending radius: 40 mm Temperature Range: -25 °C...80 °C Ø 4,0
2	Brass Nickel-Plated Bending radius: 50 mm Temperature Range: -25 °C...250 °C* Ø 5,9
3	Stainless Steel Bending radius: 60 mm Temperature Range: -25 °C...250 °C* Ø 5,9
4	Metal/Silicone Bending radius: 50 mm Temperature Range: -25 °C...180 °C Ø 7,5

Endpoint

5 6	Aluminium Only with Brass Nickel-Plated, Stainless Steel and Metal/Silicone Jacket
5 6	Stainless Steel Only with PVC jacket
2 1	Stainless Steel
1 0	Aluminium Only with PVC jacket
3 7	Stainless Steel

Adapter

Adapter	Sensor Type
1	UF
5 6	US
2 5 6	UV
1	UG
2	UC
2	UM

2 Not with Metal/Silicone
5 Only with PVC jacket

Length Selection

0 1	= 0,25 m
0 2	= 0,5 m
0 3	= 0,75 m
0 4	= 1,0 m
1 6	= 4,0 m

The lengths are staggered in 0,25 m steps.

Order number 2 3 3 ? ? ? ? ? ?

Fiber bundle Ø 2,3 mm

Through beam mode

⌀ = 4 mm Standard
please specify other lengths

* Fibers heat resistant up to 180 °C, up to 250 °C only with order number addition "T"!