

Part number

CX 02 BM



Brief description:

male insert, seat for shielded connectors, 50V, 0,8kV, 3, two seats for shielded connectors, 2 modules, modular units series MIXO

Product description	
Model	male insert
Version	seat for shielded connectors
Product type	two seats for shielded connectors
Family	MIXO series, customizable inserts
Size	2 modules
Technical data	
Voltage	50 V
Rated impulse withstand voltage	0,8 kV
Pollution degree	3
Operating temperature range (min, max)	-40°C ... +125°C
IP degree of protection	IP20 without enclosure, IP65/IP66/IP68/IP69 with enclosure
Further technical details	
Characteristics according to EN 61984	50V 0.8kV 3
Insulation resistance	≥ 10 GΩ
Rated voltage according to UL/CSA	50V
UL 94 flammability rating	V-0
Weight	12,60 g

Approvals / Standards	
Reference standard	EN 61984:2009-06
Quality mark	 EAC
Conformity	CQC
General ordering information	
EAN13 code	8015747095938
Tariff number	85369095
Packaging Information	
Packaging length	350,00 mm
Packaging height	105,00 mm
Packaging width	145,00 mm
Packaging weight	1,06 kg
Packaging volume	5,33 dm ³
Packaging description	Carton box
Packaging quantity	60 Pcs
Packaging EAN code	8015747221054
Sub-packaging length	35,00 mm
Sub-packaging height	40,00 mm
Sub-packaging width	155,00 mm
Sub-packaging weight	0,09 kg
Sub-packaging volume	0,22 dm ³
Sub-packaging description	Carton tray
Sub-packaging quantity	5 Pcs
Sub-packaging EAN barcode	8015747095945

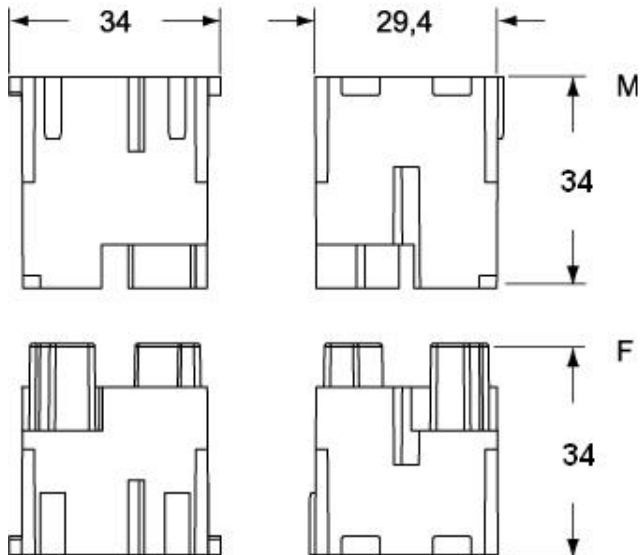
Part number

CX 02 BM

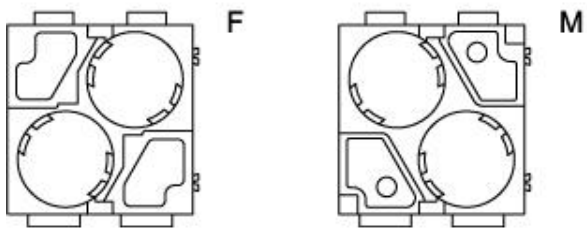


Catalogue drawings

CX 02 BM



CX 02 BF



Notes

CX 02 B inserts:

- characteristics according to EN 61984:
(50V 0,8kV 3)

the modular inserts must be installed in suitable frames which in turn are installed in traditional housings or COB panel support


Part number

CX 04 BM



Brief description:

male insert, 4 poles + shield, shielded connectors, 10A 50V, 0,8kV, 3, modular units series MIXO

Product description		Approvals / Standards	
Model	male insert	Reference standard	EN 61984:2009-06
Version	shielded connectors	Quality mark	 EAC
Product type	for male contacts 10A	Conformity	CQC
Style	four contacts seat + shield	General ordering information	
Family	MIXO series, customizable inserts	EAN13 code	8015747096010
N. of poles	4 poles + shield	Tariff number	85369095
Technical data		Packaging Information	
Current	10 A (A.C. and D.C.)	Packaging weight	0,66 kg
Voltage	50 V	Packaging description	Carton box
Rated impulse withstand voltage	0,8 kV	Packaging quantity	10 Pcs
Pollution degree	3	Packaging EAN code	8015747096027
Operating temperature range (min, max)	-40°C ... +70°C	Sub-packaging length	185,00 mm
IP degree of protection	IP20 without enclosure, IP65/IP66/IP68/IP69 with enclosure	Sub-packaging height	40,00 mm
Further technical details		Sub-packaging width	155,00 mm
Characteristics according to EN 61984	10A 50V 0.8kV 3	Sub-packaging weight	0,07 kg
Insulation resistance	≥ 10 GΩ	Sub-packaging volume	1,15 dm ³
Rated voltage according to UL/CSA	50V	Sub-packaging description	Plastic bag
UL 94 flammability rating	V-0	Sub-packaging quantity	1 Pcs
Weight	7,70 g	Sub-packaging EAN barcode	8015747096034

Part number

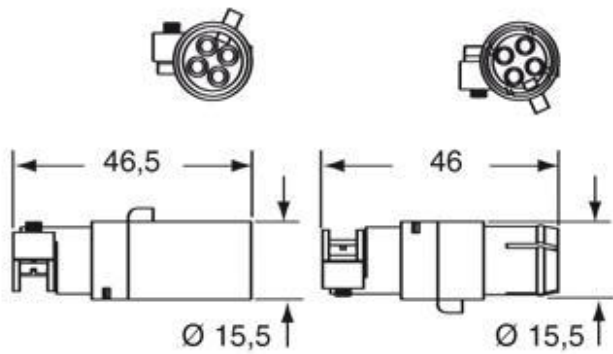
CX 04 BM



Catalogue drawings

CX 04 BF

CX 04 BM



Notes

CX 04 B inserts:

- characteristics according to EN 61984:
(10A 50V 0,8kV 3)

the modular inserts must be installed in suitable frames which in turn
are installed in traditional housings or COB panel support