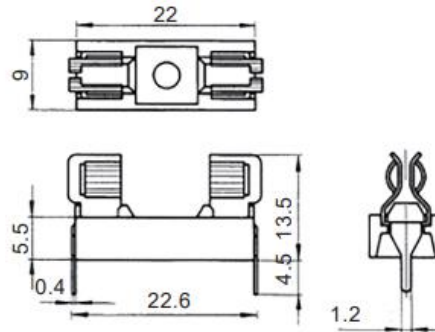
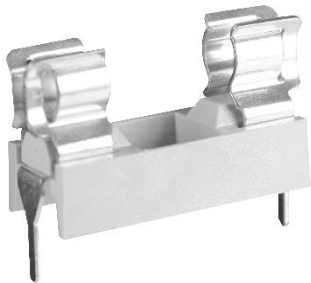
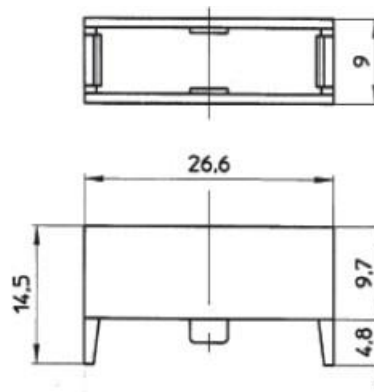


MC000827



MC000833



Features:

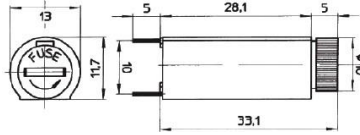
- PCB mounting
- Kinked pin for PCB retention MC000827
- Transparent insulation cover MC000833
- 22.6mm pitch

Specifications:

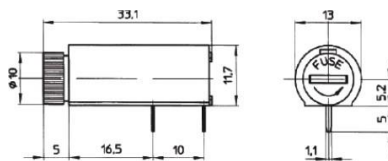
| | |
|---------------------------|----------------------------------|
| Rating | : 6.3A/ 250V |
| Contacts/Resistance | : Tinned, nickel plated Brass |
| Dielectric strength | : 3kV / 60 Sec |
| Temperature | : -20°C to 125°C |
| Operating power | : 1.6W |
| Recommended PCB hole size | : 1.3mm |

Dimensions : Millimeters

MC000832



MC000831



Features:

- Finger or screwdriver release, bayonet carrier
- Horizontal or vertical mounting
- Compact footprint 10mm pitch
- Anti solder wicking

Specifications:

| | |
|---------------------------|---------------------------------------|
| Rating | : 10A/ 250V |
| Contacts/Resistance | : Tinned nickel plated Brass, <5mΩ |
| Dielectric strength | : 3kV / 60 Sec |
| Power dissipation | : 2.5W |
| Recommended PCB hole size | : 1.5mm |
| Insulation Resistance | : 100MΩ |

Part Number Table

| Description | Part Number |
|---|-------------|
| 5mm x 20mm PCB Fuse Carrier | MC000827 |
| 5mm x 20mm PCB Fuse Carrier Cover | MC000833 |
| 5mm x 20mm Compact Vertical PCB Mounting Fuseholder | MC000832 |
| 5mm x 20mm Compact Horizontal PCB Mounting Fuseholder | MC000831 |

Dimensions : Millimeters

Important Notice : This data sheet and its contents (the "Information") belong to the members of the AVNET group of companies (the "Group") or are licensed to it. No licence is granted for the use of it other than for information purposes in connection with the products to which it relates. No licence of any intellectual property rights is granted. The Information is subject to change without notice and replaces all data sheets previously supplied. The Information supplied is believed to be accurate but the Group assumes no responsibility for its accuracy or completeness, any error in or omission from it or for any use made of it. Users of this data sheet should check for themselves the Information and the suitability of the products for their purpose and not make any assumptions based on information included or omitted. Liability for loss or damage resulting from any reliance on the Information or use of it (including liability resulting from negligence or where the Group was aware of the possibility of such loss or damage arising) is excluded. This will not operate to limit or restrict the Group's liability for death or personal injury resulting from its negligence. Multicomp Pro is the registered trademark of Premier Farnell Limited 2019.