



## Built-in switch

with restart protection due to voltage loss

### 3251-00-01, 3251-01-01



pic.: 3251-00-01

### rocker switch operated, Snap-in

#### standard type:

3251-00-01; 230V / 50 Hz

ID: 506686

3251-01-01; 230V / 50 Hz

ID:510050

(ext. coil connection)

#### other designs

(without approvals):

3251-0X-03 115 V / 50 Hz

3251-0X-04 115 V / 60 Hz

3251-0X-05 230 V / 60 Hz

3251-0X-06 240 V / 50-60 Hz

#### tested in conformity with:

DIN/VDE 0660 part 102;

IEC 947-4-1

id. card no.:06661 ÜG;

CB - zert. No.:DE1 - 7429

protection class: IP 40

#### switching current:

AC-1: 16A 230V

AC-3: 14,5A 230V

### accessory:



pic.: cover ID:510354  
AAE003-251/Z016



pic.: 3251-01-01/10  
ID: 510525

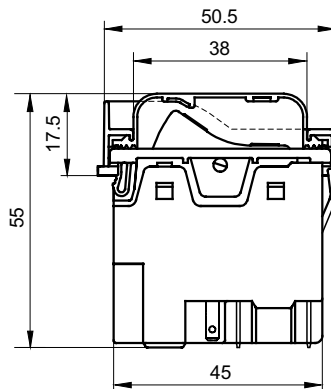
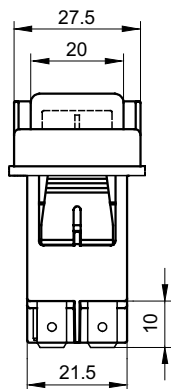
#### protection class:

IP 54 (frontside)

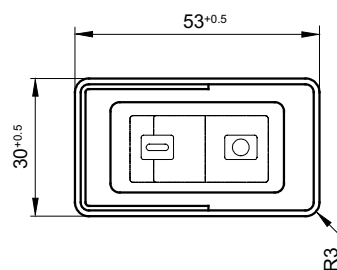
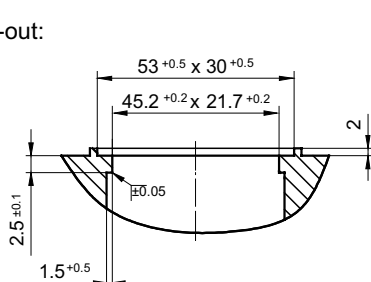
IP 40 (backside)

other data see  
standard type

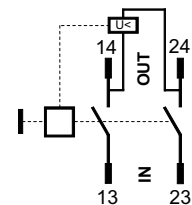
#### drawing:



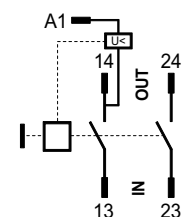
#### cut-out:



#### circuit diagramm:



E 3251-00-01/10



E 3251-01-01/10