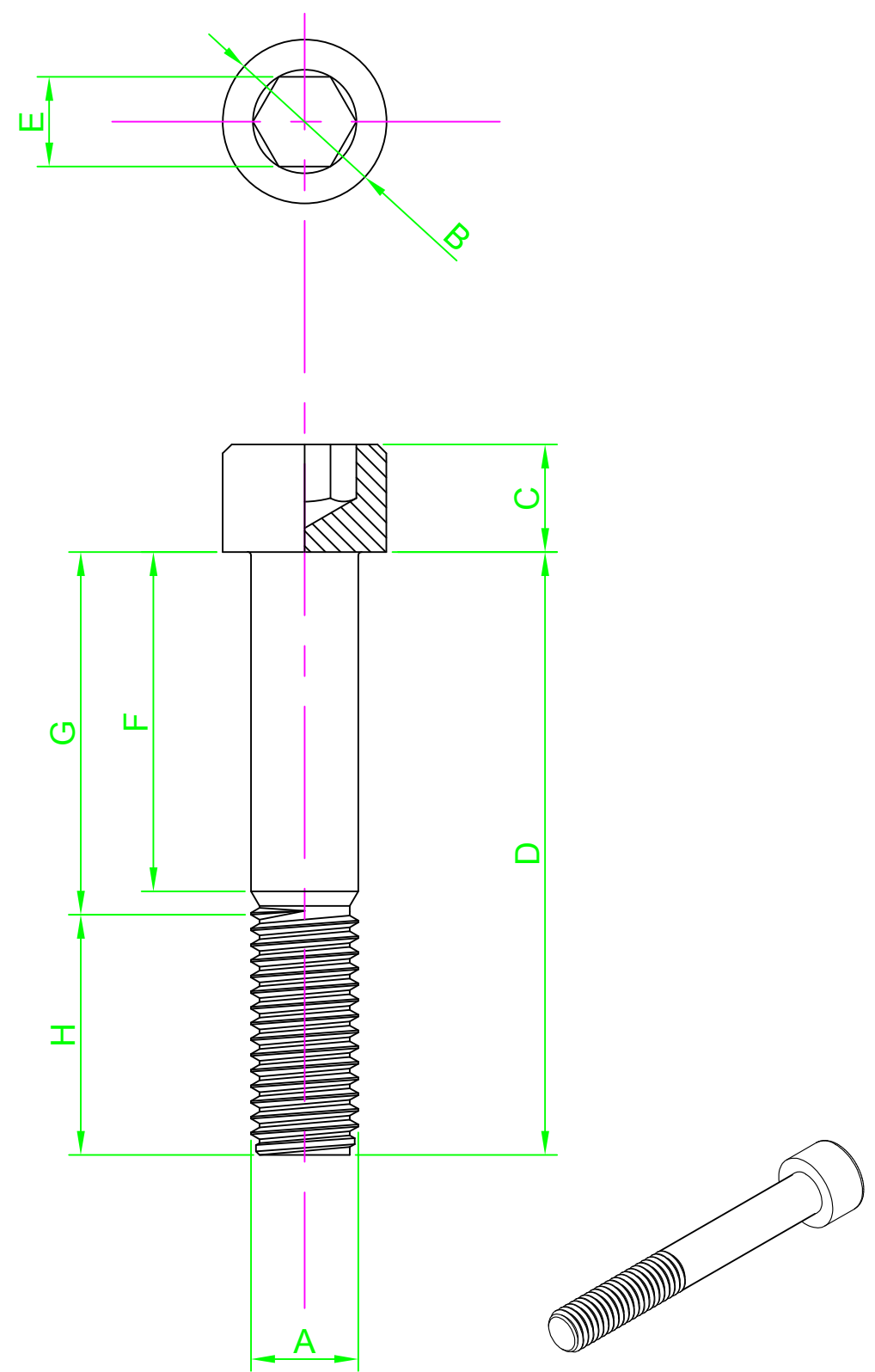


DO NOT SCALE DRAWING

REVISION

A INITIAL DRAWING 25.01.16

Part Number	ØA	B Max	C Max	D Length	E Nom	F Min	G Max	H Ref
M2.5 6 SO12CS Z100	M2.5-0.45	4.68	2.50	6.0	2.0	N/A	1.35	N/A
M2.5 12 SO12CS Z100				12.0				
M3 6 SO12CS Z100	M3-0.5	5.68	3.0	6.0	2.5	N/A	1.50	N/A
M3 8 SO12CS Z100				8.0				
M3 10 SO12CS Z100				10.0				
M3 12 SO12CS Z100				12.0				
M3 16 SO12CS Z100				16.0				
M3 20 SO12CS Z100				20.0				
M4 10 SO12CS Z100	M4-0.7	7.22	4.0	10.0	3.0	N/A	2.10	N/A
M4 12 SO12CS Z100				12.0				
M4 16 SO12CS Z100				16.0				
M4 20 SO12CS Z100				20.0				
M4 25 SO12CS Z100				25.0				
M4 30 SO12CS Z100				30.0				
M4 40 SO12CS Z100	40.0	6.50	10.0	20.0				
M5 10 SO12CS Z100	M5-0.8	8.72	5.0	10.0	4.0	N/A	2.4	N/A
M5 12 SO12CS Z100				12.0				
M5 16 SO12CS Z100				16.0				
M5 20 SO12CS Z100				20.0				
M5 25 SO12CS Z100				25.0				
M5 30 SO12CS Z100				30.0				
M5 40 SO12CS Z100	40.0	4.0	8.0	22.0				
M5 45 SO12CS Z100	45.0	14.0	18.0					
M5 50 SO12CS Z100	50.0	19.0	23.0					
M6 10 SO12CS Z100	M6-1.0	10.22	6.0	10.0	5.0	N/A	3.0	N/A
M6 12 SO12CS Z100				12.0				
M6 16 SO12CS Z100				16.0				
M6 20 SO12CS Z100				20.0				
M6 25 SO12CS Z100				25.0				
M6 30 SO12CS Z100				30.0				
M6 40 SO12CS Z100	40.0	11.0	16.0	24.0				
M6 50 SO12CS Z100	50.0	21.0	26.0					
M6 60 SO12CS Z100	60.0	31.0	36.0					



NOTES:



DESIGN RIGHT. TR FASTENINGS LTD, 2003
 UNDER NO CIRCUMSTANCES MUST THIS
 DRAWING BE COPIED OR DISCLOSED
 WITHOUT FIRST OBTAINING WRITTEN
 AUTHORITY.

UNLESS OTHERWISE SPECIFIED:
 DIMENSIONS ARE IN MM (MILLIMETERS).
 SURFACE FINISH:
 TOLERANCES: DIN 912

NAME	DATE
DRAWN Darryl Wilson	25.01.16
CHK'D	
APPVD	

MATERIAL:
 Steel

HEAT TREATMENT:
 Grade 12.9

FINISH:
 TC1D - Commercial Zinc/Clear Cr3
 De-Embrittled

TITLE:
 Hex Socket Head Cap Screw DIN 912

DRAWING NUMBER:
 TR32SO12CSZ100

A4

