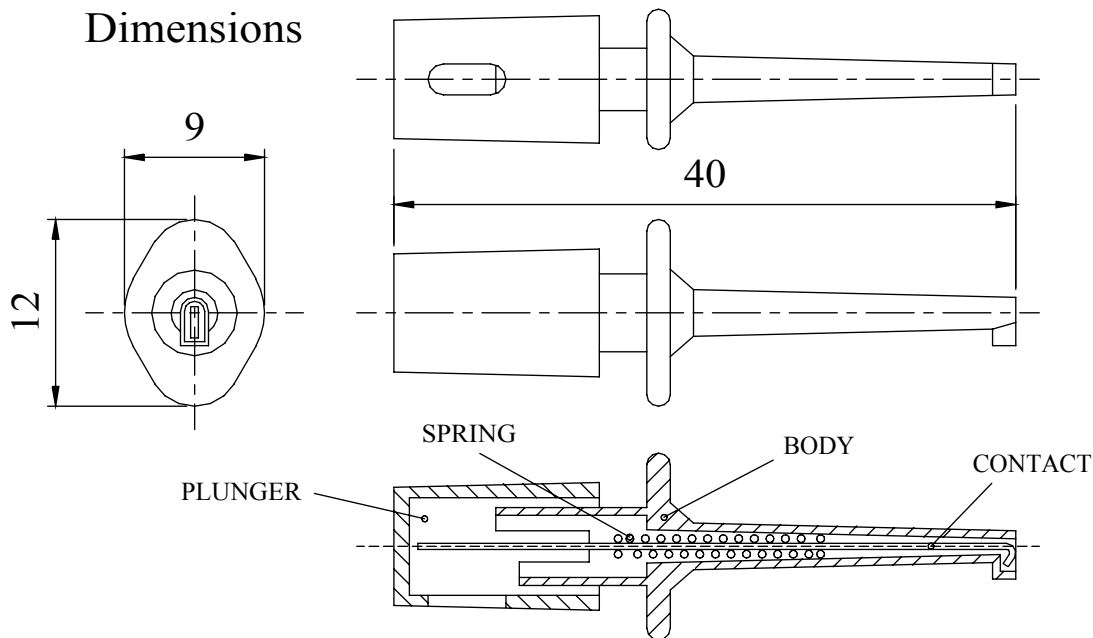


A miniature, spring loaded, plunger action probe, ideally suited for making contact to component leads on high density PCBs including integrated circuit pins etc. Gold flash contact hook and solder connections.  
 Available in a range of colours for identification in multiple probing applications.  
 Suitable for miniature stranded cables.

MATERIAL PLUNGER : Noryl coloured  
 BODY : Noryl coloured  
 SPRING : Spring Steel  
 CONTACT : Brass Gold flash  
 RATED VOLTAGE : 50V

Dimensions



COLOUR	ORDER CODE
BLACK	575-0101
BLUE	575-0201
GREEN	575-0401
RED	575-0501
YELLOW	575-0701