

PCB TERMINAL BLOCKS

5.08mm Pitch Pluggable Rising Clamp Terminal Blocks

PCB
TERMINAL
BLOCKS

INTER-
CONNECTION

FUSES &
FUSE-
HOLDERS

LEDs &
INDICATORS

MINIATURE
SWITCHES

LIMIT &
SAFETY
SWITCHES

CONTROL
PRODUCTS

INTERFACE
MODULES &
SUPPORTS




RELAY
BASES

DIN RAIL
ENCLOSURES

BATTERIES

SOLAR
PANELS

TRANS-
FORMERS

- 2-24 pole solid block
- Pluggable male-female connectors
- Open & closed headers
- Horizontal & vertical female plug styles
- Polarised mouldings
- Moulded in green UL94-V0 flame retardant PA
- Professional rising clamp terminals
- 0.2-2.5mm² (30-12AWG) solid & stranded cable
- Anti solder wicking
- Captive screws
- Guided pin alignment
-    approved

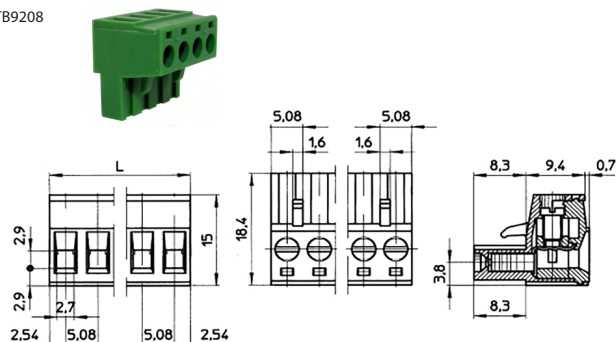
SPECIFICATION

Rating	12A/320V UL=12A/300V, VDE&IMQ=20A/320V
Dielectric strength	≥2.5kV
Impulse withstand voltage	4kV
Working temperature	110°C
Moulding	UL94-V0 flame retardant PA
Pin/terminal	Copper alloy, NI & SN
Rising clamp	Copper alloy, NI & SN
Screw/torque	M3 steel zinc plated, 0.5Nm
Recommended PCB hole size	ø1.4mm

Female connector

TYPE NO.	POLES	LENGTH	TYPE NO.	POLES	LENGTH
CTB9208/2	2	10.2mm	CTB9208/14	14	71.1mm
CTB9208/3	3	15.2mm	CTB9208/15	15	76.2mm
CTB9208/4	4	20.3mm	CTB9208/16	16	81.3mm
CTB9208/5	5	25.4mm	CTB9208/17	17	86.4mm
CTB9208/6	6	30.5mm	CTB9208/18	18	91.4mm
CTB9208/7	7	35.6mm	CTB9208/19	19	96.5mm
CTB9208/8	8	40.6mm	CTB9208/20	20	101.6mm
CTB9208/9	9	45.7mm	CTB9208/21	21	106.7mm
CTB9208/10	10	50.8mm	CTB9208/22	22	111.8mm
CTB9208/11	11	55.9mm	CTB9208/23	23	116.8mm
CTB9208/12	12	61mm	CTB9208/24	24	121.9mm
CTB9208/13	13	66mm			

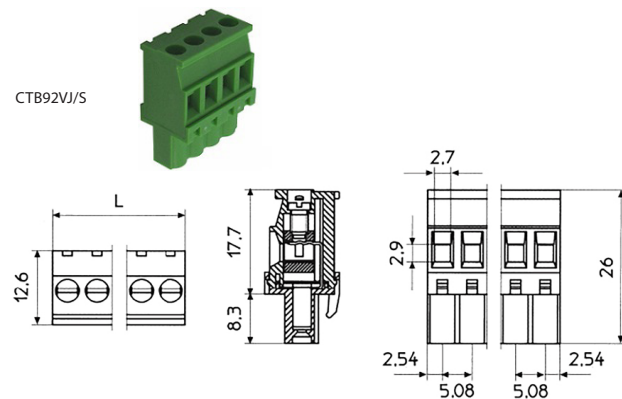
CTB9208



Female connector vertical (standard)

TYPE NO.	POLES	LENGTH	TYPE NO.	POLES	LENGTH
CTB92VJ/2S	2	10.2mm	CTB92VJ/14S	14	71.1mm
CTB92VJ/3S	3	15.2mm	CTB92VJ/15S	15	76.2mm
CTB92VJ/4S	4	20.3mm	CTB92VJ/16S	16	81.3mm
CTB92VJ/5S	5	25.4mm	CTB92VJ/17S	17	86.4mm
CTB92VJ/6S	6	30.5mm	CTB92VJ/18S	18	91.4mm
CTB92VJ/7S	7	35.6mm	CTB92VJ/19S	19	96.5mm
CTB92VJ/8S	8	40.6mm	CTB92VJ/20S	20	101.6mm
CTB92VJ/9S	9	45.7mm	CTB92VJ/21S	21	106.7mm
CTB92VJ/10S	10	50.8mm	CTB92VJ/22S	22	111.8mm
CTB92VJ/11S	11	55.9mm	CTB92VJ/23S	23	116.8mm
CTB92VJ/12S	12	61mm	CTB92VJ/24S	24	121.9mm
CTB92VJ/13S	13	66mm			

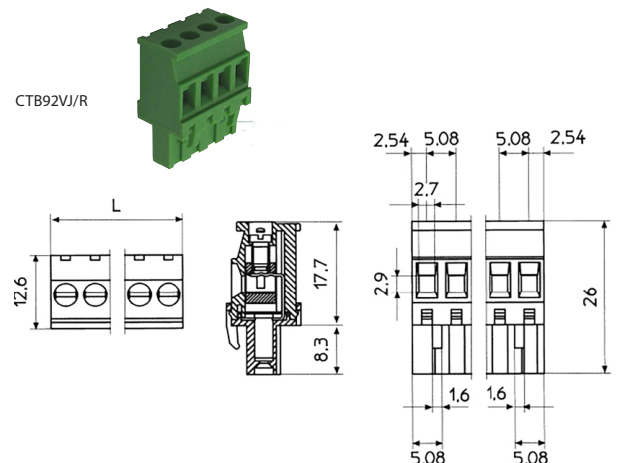
CTB92VJ/S



Female connector vertical (reversed)

TYPE NO.	POLES	LENGTH	TYPE NO.	POLES	LENGTH
CTB92VJ/2R	2	10.2mm	CTB92VJ/14R	14	71.1mm
CTB92VJ/3R	3	15.2mm	CTB92VJ/15R	15	76.2mm
CTB92VJ/4R	4	20.3mm	CTB92VJ/16R	16	81.3mm
CTB92VJ/5R	5	25.4mm	CTB92VJ/17R	17	86.4mm
CTB92VJ/6R	6	30.5mm	CTB92VJ/18R	18	91.4mm
CTB92VJ/7R	7	35.6mm	CTB92VJ/19R	19	96.5mm
CTB92VJ/8R	8	40.6mm	CTB92VJ/20R	20	101.6mm
CTB92VJ/9R	9	45.7mm	CTB92VJ/21R	21	106.7mm
CTB92VJ/10R	10	50.8mm	CTB92VJ/22R	22	111.8mm
CTB92VJ/11R	11	55.9mm	CTB92VJ/23R	23	116.8mm
CTB92VJ/12R	12	61mm	CTB92VJ/24R	24	121.9mm
CTB92VJ/13R	13	66mm			

CTB92VJ/R



CAMDENBOSS

We operate a constant improvement policy, our products are subject to change without notice.

Ver 1.1

+44 (0)1638 716101
info@camdenboss.com
www.camdenboss.com



FM 28614 EMS 613558