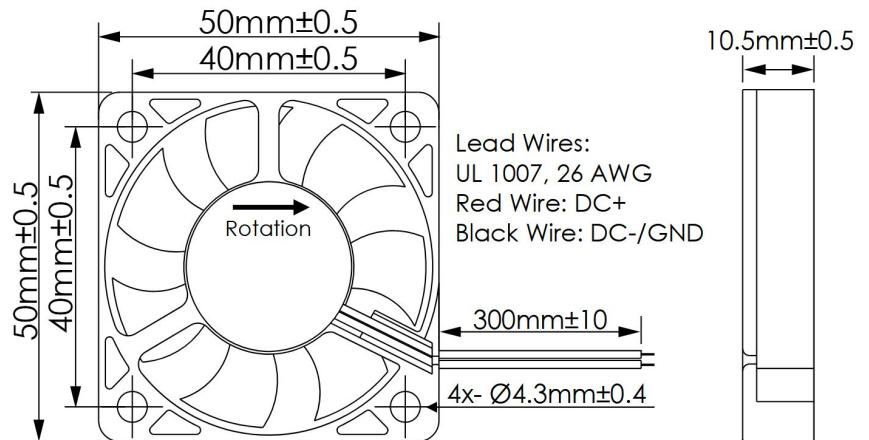


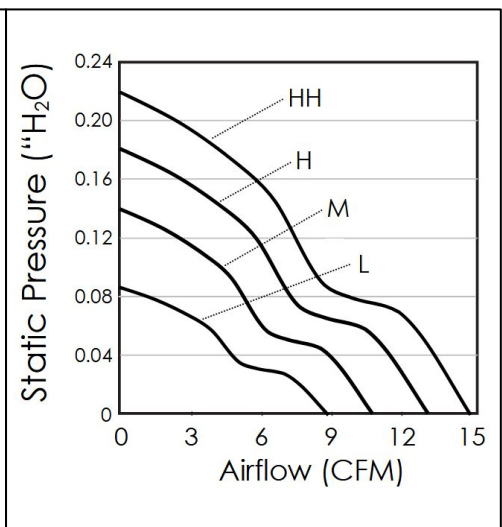
OD5010 Series



DC Fans - 5, 12, 24V
50mm x 10mm (2.0" x 0.4")



Frame	PBT, UL94 V-0 Plastic	Operating Temperature -20°C ~ +65°C Storage Temperature -20°C ~ +75°C Life Expectancy 70,000 Hours (L10 at 40°C) Available Options: Tachometer Output PWM Speed Control Input Alarm Output Sealed Sleeve Bearings IP Ratings Weight: 0.07 lbs
Impeller	PBT, UL94 V-0 Plastic	
Connection	2x Lead Wires, 26 AWG	
Motor	Brushless DC, Auto Cutoff, Auto Restart, Electronically Protected, Polarity Protected	
Bearing System	Ball Bearings	
Dielectric Strength	500VDC/min, <1mA	
Insulation Resistance	≥10M Ohm @ 500 VDC	

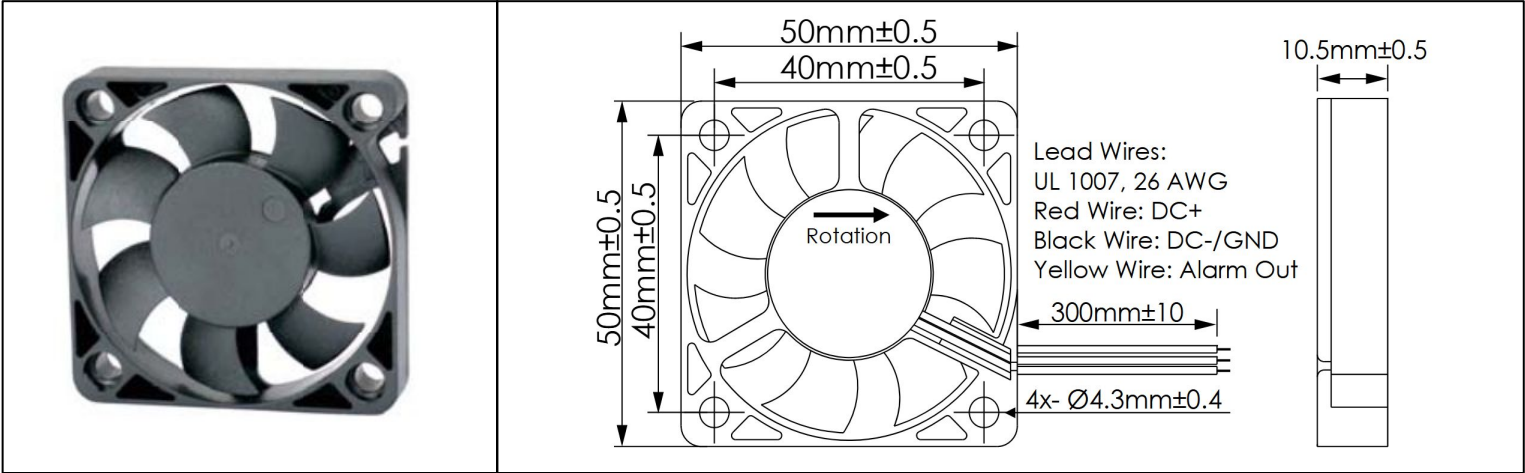


Part Number	Rated Voltage (Volts DC)	Voltage Range (Volts DC)	Input Power (Watts)	Rated Current (Amps)	Rated Speed (RPM)	Max Airflow (CFM)	Noise Level (dBA)	Max Static Pressure ("H ₂ O)
OD5010-05HHB	5	4.5 ~ 5.5	2.40	0.48	7150	14.9	37.4	0.22
OD5010-05HB	5	4.5 ~ 5.5	1.92	0.38	6490	12.7	35.1	0.18
OD5010-05MB	5	4.5 ~ 5.5	1.68	0.34	5475	10.8	30.2	0.14
OD5010-05LB	5	4.5 ~ 5.5	1.44	0.29	4425	8.6	25.4	0.09
OD5010-12HHB	12	8 ~ 13.8	2.40	0.20	7150	14.9	37.4	0.22
OD5010-12HB	12	8 ~ 13.8	1.92	0.16	6490	12.7	35.1	0.18
OD5010-12MB	12	8 ~ 13.8	1.68	0.14	5475	10.8	30.2	0.14
OD5010-12LB	12	8 ~ 13.8	1.44	0.12	4425	8.6	25.4	0.09
OD5010-24HHB	24	20 ~ 26.4	2.40	0.10	7150	14.9	37.4	0.22
OD5010-24HB	24	20 ~ 26.4	1.92	0.08	6490	12.7	35.1	0.18
OD5010-24MB	24	20 ~ 26.4	1.68	0.07	5475	10.8	30.2	0.14
OD5010-24LB	24	20 ~ 26.4	1.44	0.06	4425	8.6	25.4	0.09

OD5010-12HB02A



DC Fan with Alarm - 12V
50mm x 10mm (2.0" x 0.4")



Lead Wires:
UL 1007, 26 AWG
Red Wire: DC+
Black Wire: DC-/GND
Yellow Wire: Alarm Out

Frame	PBT, UL94 V-0 Plastic
Impeller	PBT, UL94 V-0 Plastic
Connection	3x Lead Wires, 26 AWG
Motor	Brushless DC, Auto Cutoff, Auto Restart, Electronically Protected, Polarity Protected
Bearing System	Ball Bearings
Dielectric Strength	500VDC/min, <1mA
Insulation Resistance	≥10M Ohm @ 500 VDC

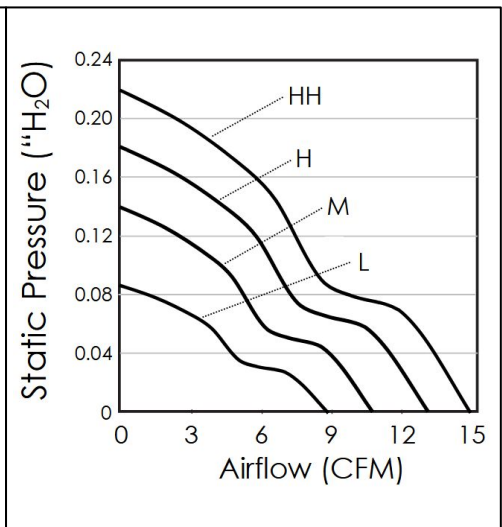
Operating Temperature
-20°C ~ +65°C

Storage Temperature
-20°C ~ +75°C

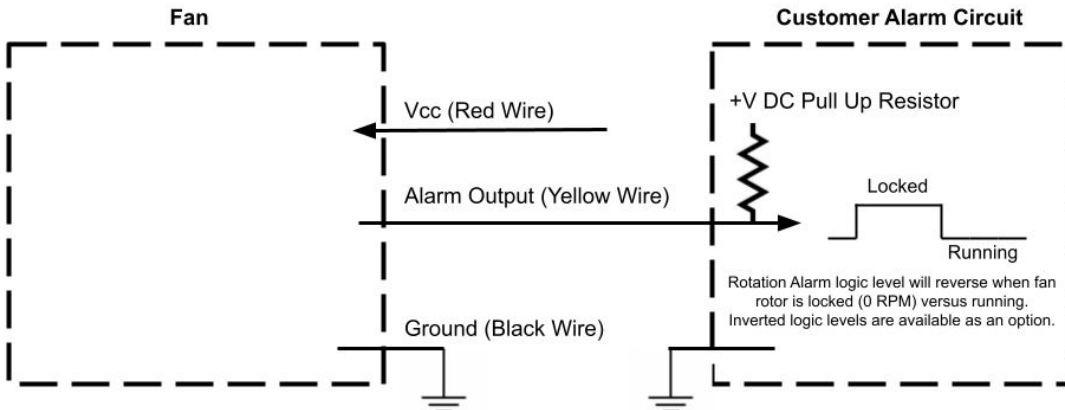
Life Expectancy
70,000 Hours (L10 at 40°C)

Available Options:
Open Collector Alarm Output

Weight: 0.07 lbs



Part Number	Rated Voltage (Volts DC)	Voltage Range (Volts DC)	Input Power (Watts)	Rated Current (Amps)	Rated Speed (RPM)	Max Airflow (CFM)	Noise Level (dBA)	Max Static Pressure (\"H ₂ O)
OD5010-12HB02A	12	8 ~ 13.8	1.92	0.16	6490	12.7	35.1	0.18

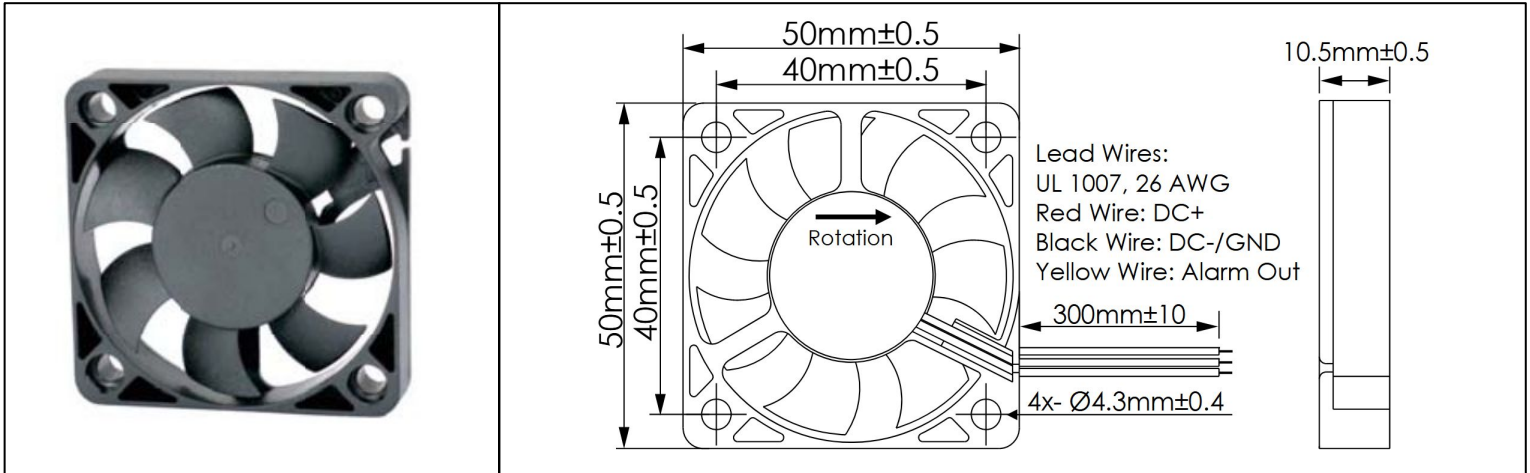


Alarm Max Pullup Voltage: ≤12V
Alarm Max Sink Current: 5mA

OD5010-12MB02A

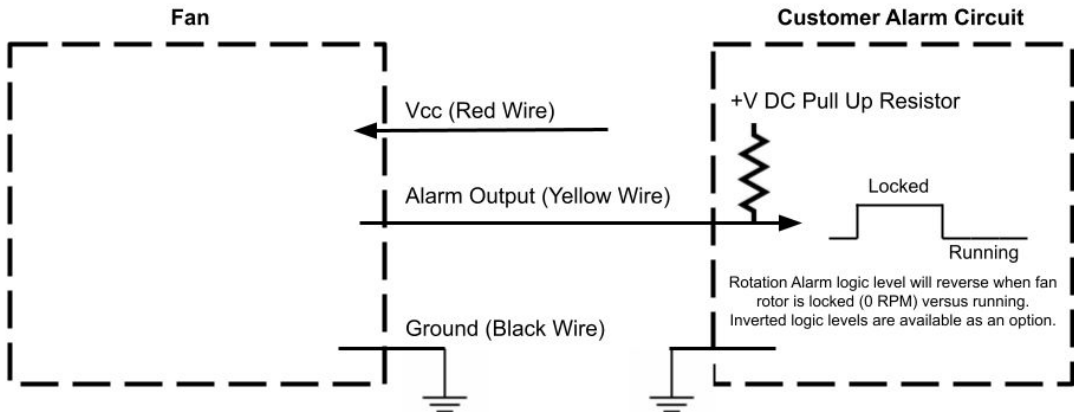


DC Fan with Alarm - 12V
50mm x 10mm (2.0" x 0.4")



Frame	PBT, UL94 V-0 Plastic	<u>Operating Temperature</u> -20°C ~ +65°C <u>Storage Temperature</u> -20°C ~ +75°C <u>Life Expectancy</u> 70,000 Hours (L10 at 40°C) <u>Available Options:</u> Open Collector Alarm Output Weight: 0.07 lbs
Impeller	PBT, UL94 V-0 Plastic	
Connection	3x Lead Wires, 26 AWG	
Motor	Brushless DC, Auto Cutoff, Auto Restart, Electronically Protected, Polarity Protected	
Bearing System	Ball Bearings	
Dielectric Strength	500VDC/min, <1mA	
Insulation Resistance	≥10M Ohm @ 500 VDC	

Part Number	Rated Voltage (Volts DC)	Voltage Range (Volts DC)	Input Power (Watts)	Rated Current (Amps)	Rated Speed (RPM)	Max Airflow (CFM)	Noise Level (dBA)	Max Static Pressure ("H ₂ O)
OD5010-12MB02A	12	8 ~ 13.8	1.68	0.14	5475	10.8	30.2	0.14

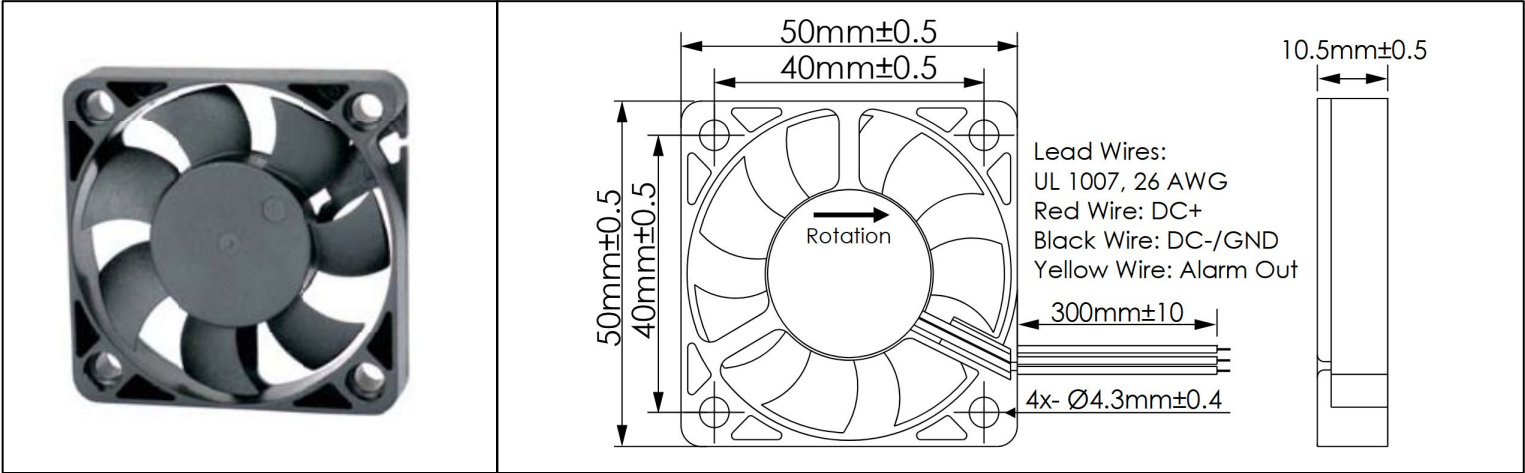


Alarm Max Pullup Voltage: ≤12V
Alarm Max Sink Current: 5mA

OD5010-24HB02A



DC Fan with Alarm - 24V
50mm x 10mm (2.0" x 0.4")



Lead Wires:
UL 1007, 26 AWG
Red Wire: DC+
Black Wire: DC-/GND
Yellow Wire: Alarm Out

Frame	PBT, UL94 V-0 Plastic
Impeller	PBT, UL94 V-0 Plastic
Connection	3x Lead Wires, 26 AWG
Motor	Brushless DC, Auto Cutoff, Auto Restart, Electronically Protected, Polarity Protected
Bearing System	Ball Bearings
Dielectric Strength	500VDC/min, <1mA
Insulation Resistance	≥10M Ohm @ 500 VDC

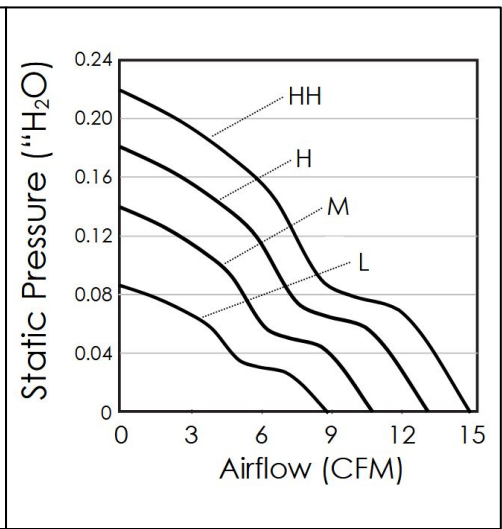
Operating Temperature
-20°C ~ +65°C

Storage Temperature
-20°C ~ +75°C

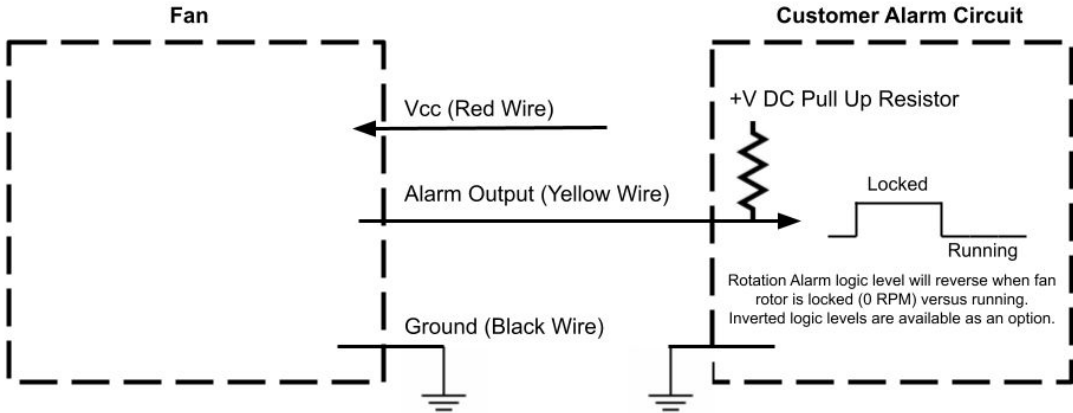
Life Expectancy
70,000 Hours (L10 at 40°C)

Available Options:
Open Collector Alarm Output

Weight: 0.07 lbs



Part Number	Rated Voltage (Volts DC)	Voltage Range (Volts DC)	Input Power (Watts)	Rated Current (Amps)	Rated Speed (RPM)	Max Airflow (CFM)	Noise Level (dBA)	Max Static Pressure (\"H ₂ O)
OD5010-24HB02A	24	20 ~ 26.4	1.92	0.08	6490	12.7	35.1	0.18

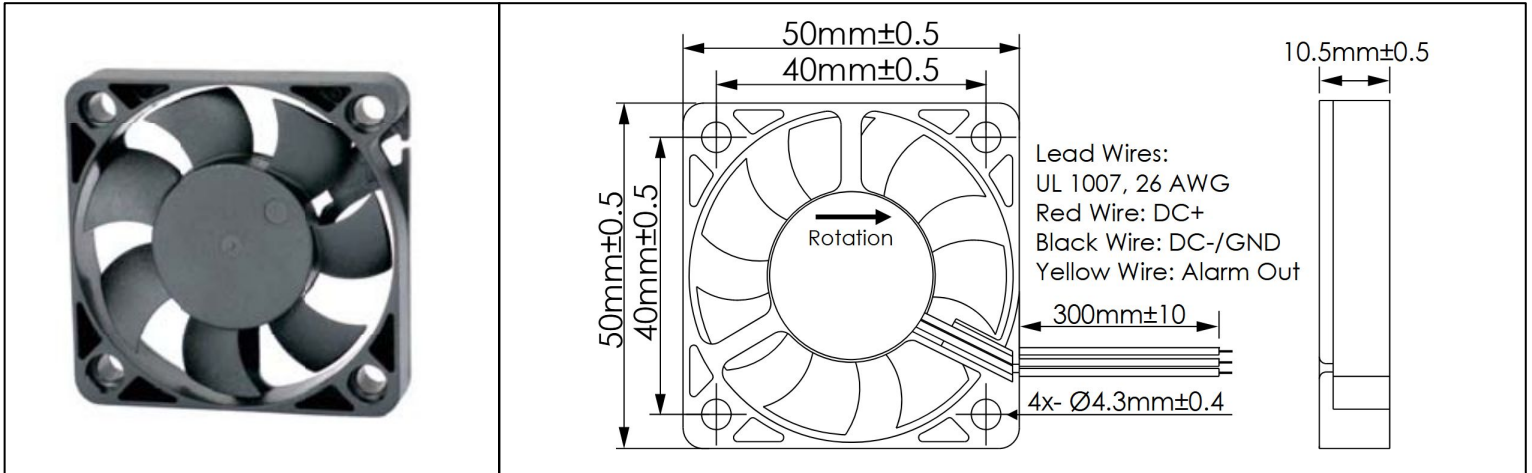


Alarm Max Pullup Voltage: ≤24V
Alarm Max Sink Current: 5mA

OD5010-24MB02A

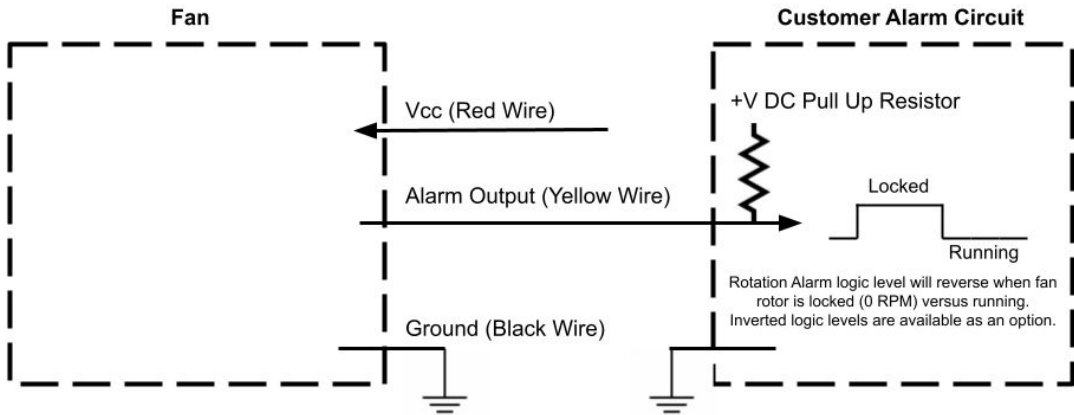


DC Fan with Alarm - 24V
50mm x 10mm (2.0" x 0.4")



Frame	PBT, UL94 V-0 Plastic	<u>Operating Temperature</u> -20°C ~ +65°C <u>Storage Temperature</u> -20°C ~ +75°C <u>Life Expectancy</u> 70,000 Hours (L10 at 40°C) <u>Available Options:</u> Open Collector Alarm Output Weight: 0.07 lbs
Impeller	PBT, UL94 V-0 Plastic	
Connection	3x Lead Wires, 26 AWG	
Motor	Brushless DC, Auto Cutoff, Auto Restart, Electronically Protected, Polarity Protected	
Bearing System	Ball Bearings	
Dielectric Strength	500VDC/min, <1mA	
Insulation Resistance	≥10M Ohm @ 500 VDC	

Part Number	Rated Voltage (Volts DC)	Voltage Range (Volts DC)	Input Power (Watts)	Rated Current (Amps)	Rated Speed (RPM)	Max Airflow (CFM)	Noise Level (dBA)	Max Static Pressure ("H ₂ O)
OD5010-24MB02A	24	20 ~ 26.4	1.68	0.07	5475	10.8	30.2	0.14



Alarm Max Pullup Voltage: ≤24V
Alarm Max Sink Current: 5mA