

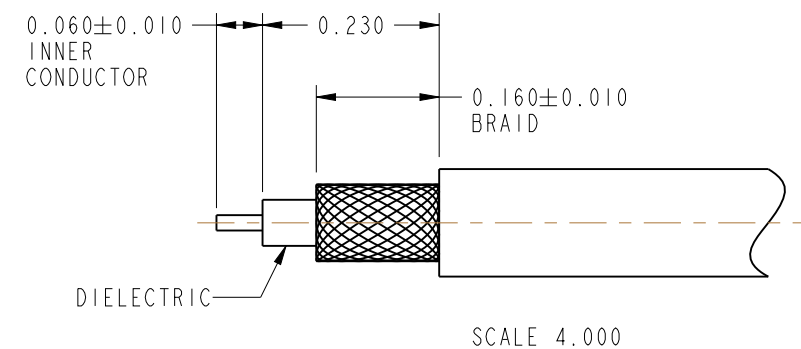
NOTES:

1. MATERIALS AND FINISHES:
 BODY, CONTACT - BeCu, GOLD PLATING
 INSULATOR - PTFE, NATURAL
 RETAINING RING - BRASS, GOLD PLATING
 FERRULE - SEAMLESS COPPER TUBE, GOLD PLATING
 2. CABLE ASSEMBLY INSTRUCTIONS:
 A. TRIM CABLE AS SHOWN.
 B. INSERT CABLE CENTER CONDUCTOR TO CONTACT.
 CRIMP OR SOLDER CENTER CONTACT WITH DANIELS POSITIONER #K878S AND TOOL M22520/2-01 (SELECTOR #4).
 C. INSERT CABLE WITH CENTER CONDUCTOR INTO CONNECTOR UNTIL IT BOTTOMS.
 D. CRIMP FERRULE WITH FRAME #227-944 (M22520) & DIE SET #227-1221-03.(0.128 HEX).
 3. CONNECTOR IS TO BE PACKAGED WITH A TAG STAMPED AS FOLLOWS: AMPHENOL 902-5039.
4. SHOWS CABLE ENTRY DIMENSIONS.

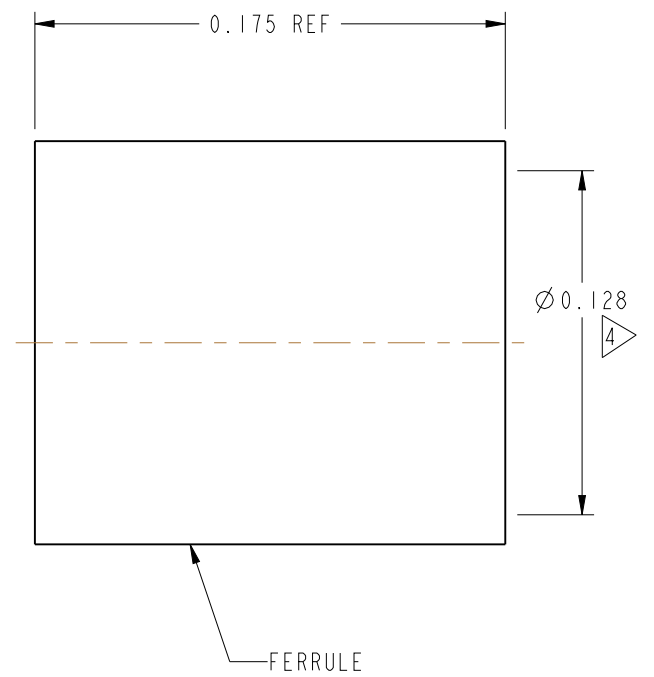
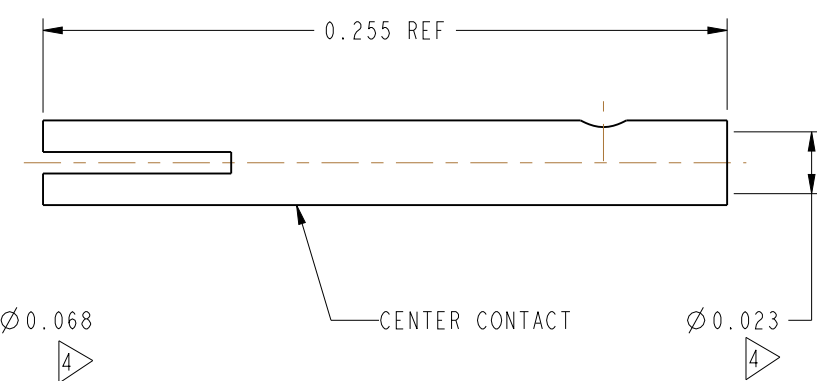
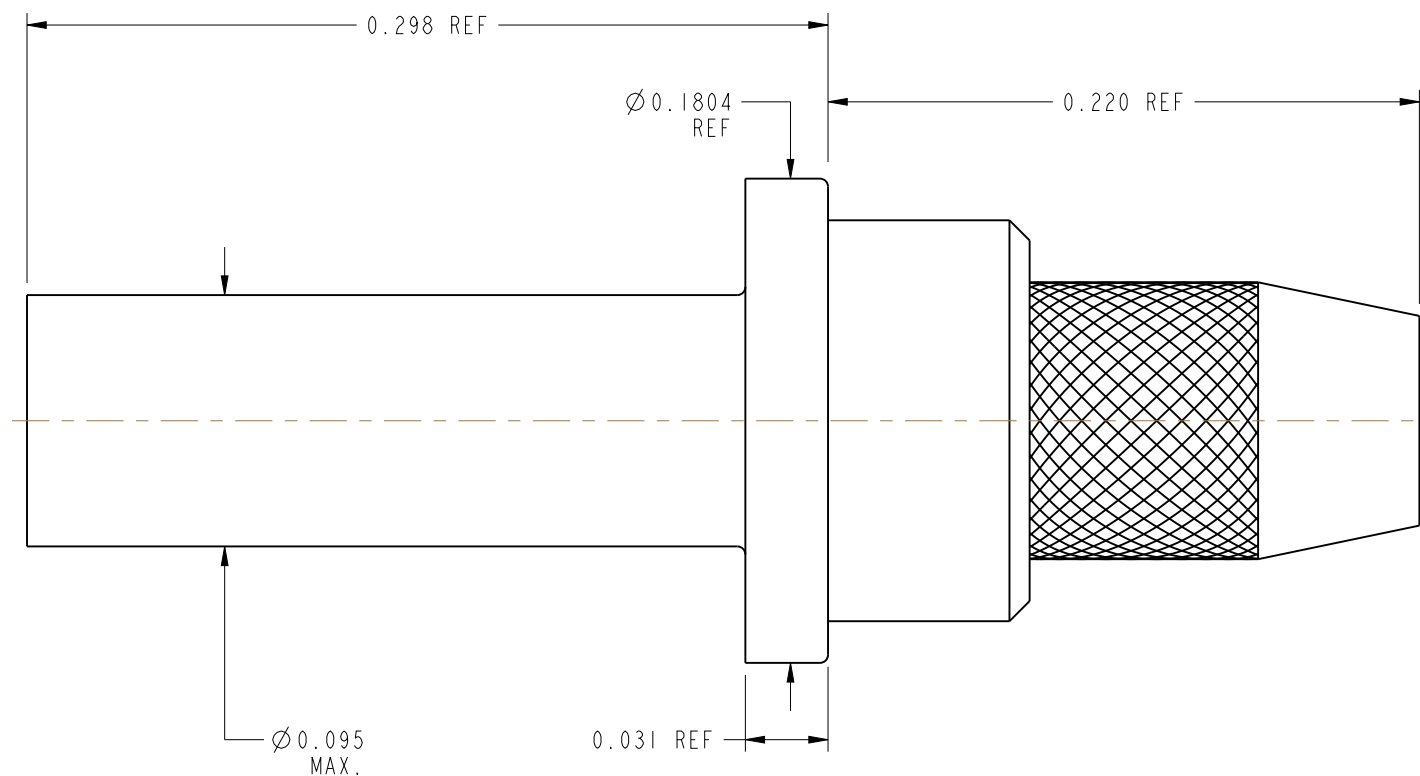
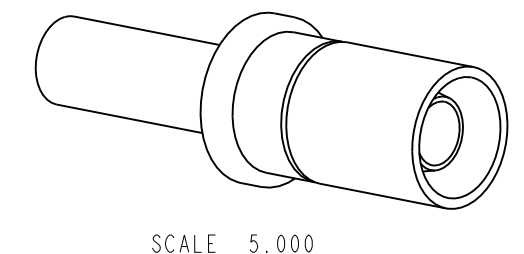
THIRD ANGLE PROJ.

REVISIONS

REV	DESCRIPTION	DATE	ECO	APPR
--	RELEASE TO MFG.	--	--	--
F	REDRAWN IN PRO-E & COD ADDED	11/18/13	49751	CL



RECOMMENDED CABLE STRIPPING DIMENSIONS



CUSTOMER OUTLINE DRAWING
 ALL OTHER SHEETS ARE FOR INTERNAL USE ONLY

UNLESS OTHERWISE SPECIFIED, DIMENSIONS ARE IN INCHES AND TOLERANCES ARE: 2 PLACE DECIMAL 3 PLACE DECIMAL ANGLES ±.015 (0.381 mm) ±.005 (0.127 mm) ± 1°	MATERIAL	DRAWN	DATE	TITLE # 12 COAXIAL PLUG CONTACT FOR RG-316/U CABLE		Amphenol RF www.amphenolrf.com	
	SEE NOTES	CLEMENT	03-Oct-13				
	REFERENCE	ENGINEER	DATE	SCALE: 14.0:1.0 SHEET 2 OF 2		DRAWING NO. 902-5039	
	615X-481 111-963233-57	O. BARTHELME	11/18/13	DWG SIZE B		ITEM NO. 902-5039	
CONFIGURATION LEVEL: In Work	APPROVED	DATE	REV F		PART NO. 902-5039		
FINISH	O. BARTHELME	11/18/13					

NOTICE - These drawings, specifications, or other data (1) are, and remain the property of Amphenol corp. (2) must be returned upon request; and (3) are confidential and not to be disclosed to any person other than those to whom they are given by Amphenol Corp. the furnishing of these drawings, specifications, or other data by Amphenol Corp., or to any other person to anyone for any purpose is not to be regarded by implication or otherwise in any manner licensing, granting rights to permitting such holder or any other person to manufacture, use or sell any product, process or design, patented or otherwise, that may in any way be related to or disclosed by said drawings, specifications, or other data.