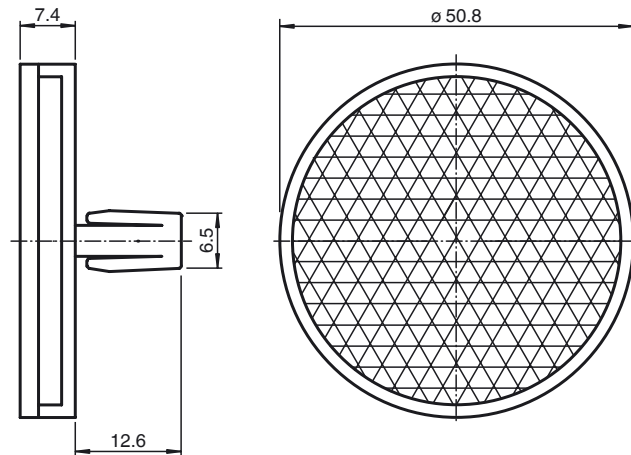




Dimensions



Model Number

REF-CLIP50HT

Reflector, round \varnothing 50 mm, snap-in, high temperature applications

Features

- Simple installation with snap-in fastener
- With extended temperature range up to 110 °C (230 °F)

Technical data

General specifications

Construction type circular

Ambient conditions

Ambient temperature -20 ... 110 °C (-4 ... 230 °F)

Mechanical specifications

Material PC

Dimensions Diameter: 50 mm

Mounting Snap-in