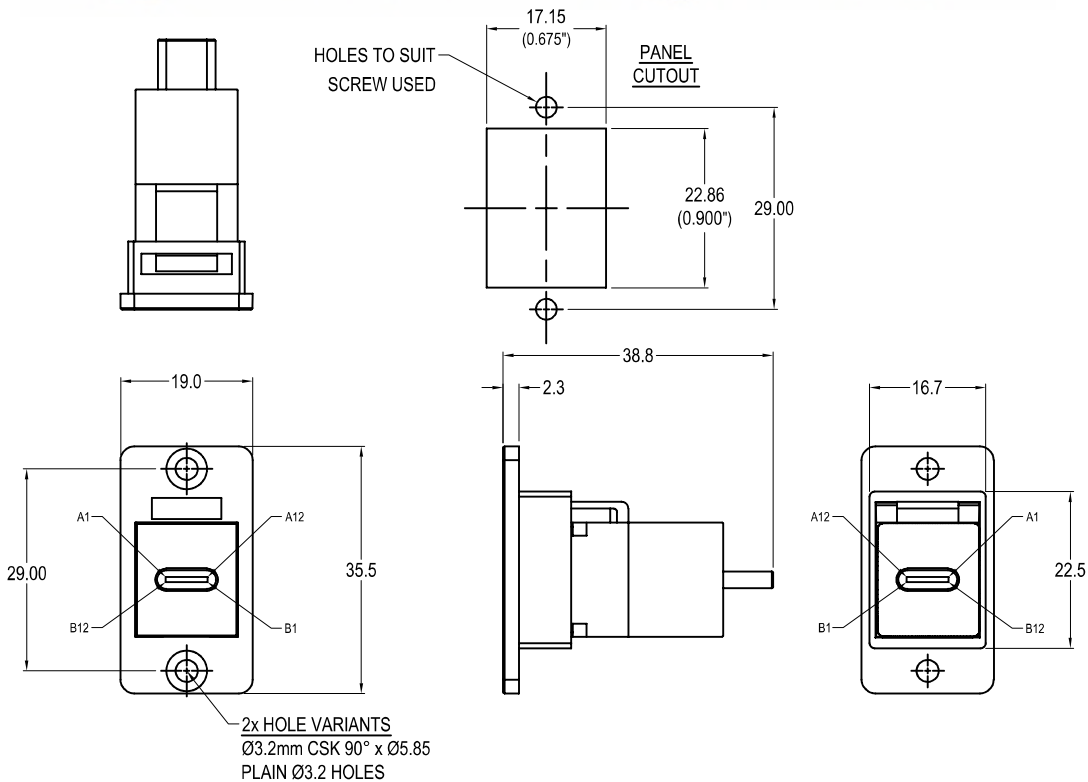




SLIM USB-C Female-Male FRONT MOUNTING METAL FRAME FEEDTHROUGH



VARIANTS

- Part No.
- CP30611M** SLIM FM USB-C F-M Nickel frame, CSK holes
 - CP30611MB** SLIM FM USB-C F-M Black metal frame, CSK holes
 - CP30611MX1** SLIM FM USB-C F-M Nickel frame, Ø3.2 PLAIN holes
 - CP30611MBX1** SLIM FM USB-C F-M Black metal frame, Ø3.2 PLAIN holes

Feedthrough Features

- Fits standard rectangular cutout.
- Various hole mounting options.
- No soldering or punch termination. Use standard cable for each connector style.
- Low rear profile.

General:

Please note: Functionality is affected by cable quality, length and cable wiring configuration.

Material:

1. Insert: ABS - UL94 HB
2. Frame: Diecast, Nickel or Black plated

USB-C Specification:

Maximum Rated Current - 3A
 Maximum Working Voltage - 30V
 Withstanding Voltage - 100V for 1 minute.
 Contact Resistance - 40 Milli-ohms Max.
 Insulation Resistance - 100 Mega-ohms Min.
 Insulator Flammability Rating - UL-94V0
 Insertion Life - 10,000 Cycles.